

# L 31

## L51 - L81

L FILTERS



### Highlights

- Injected polypropylene or PVDF : great resistance to acids and alkalines
- Welded tank : no gaskets, no risk of leaking
- Side pannels protecting the the pump from splashing
- One handed quick opening lid
- Large interchangeable range of filtration medias



### Technical features

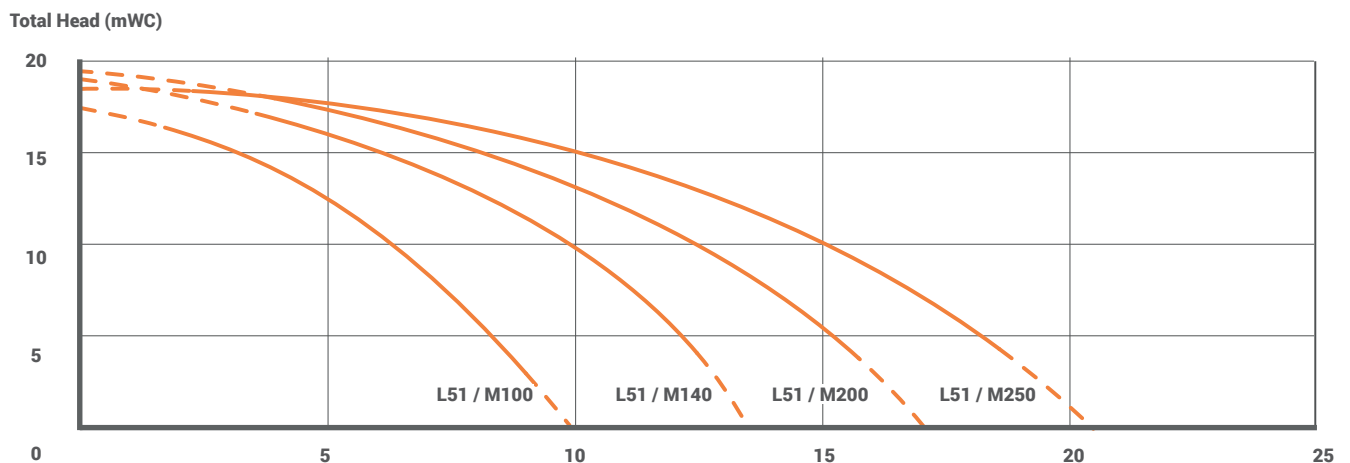
<b>Materials</b>		PP - PVDF
<b>Gaskets</b>		EPDM - FPM - NBR
<b>Max Temperature</b>	<b>PP</b>	80°C
	<b>PVDF</b>	110°C
<b>Filtration rate</b>		0,2 -> 100 µm
<b>Pumps</b>		M100 - M140 - M200 - M250
<b>Flowrate</b>		9 up to 21 m³/h
<b>Connection</b>		Threaded, Union nut, grooved nozzle, flanges
<b>Dissolution tank</b>		See L59 - 89 version

### Filtration medias



- 1 L-TECH pleated cartridge :** 10", 20", 30" (2,5m², 5m² ou 7m²)
- 2 Wound cartridge :** 7 x 10", 20" or 30"
- 3 Plates :** 0,72m², 1,44m² and 2,16m²
- 4 Activated carbon :** 5,8L in 10", 11,6L in 20" and 17,3L in 30"
- 5 Bags :** 1 size 10

### Flowrate charts



\*Flow rates measured with 1 L-TECH cartridge with 20°C water. Flow rate varies depending on the filtration media.

Flowrate (m³/h)

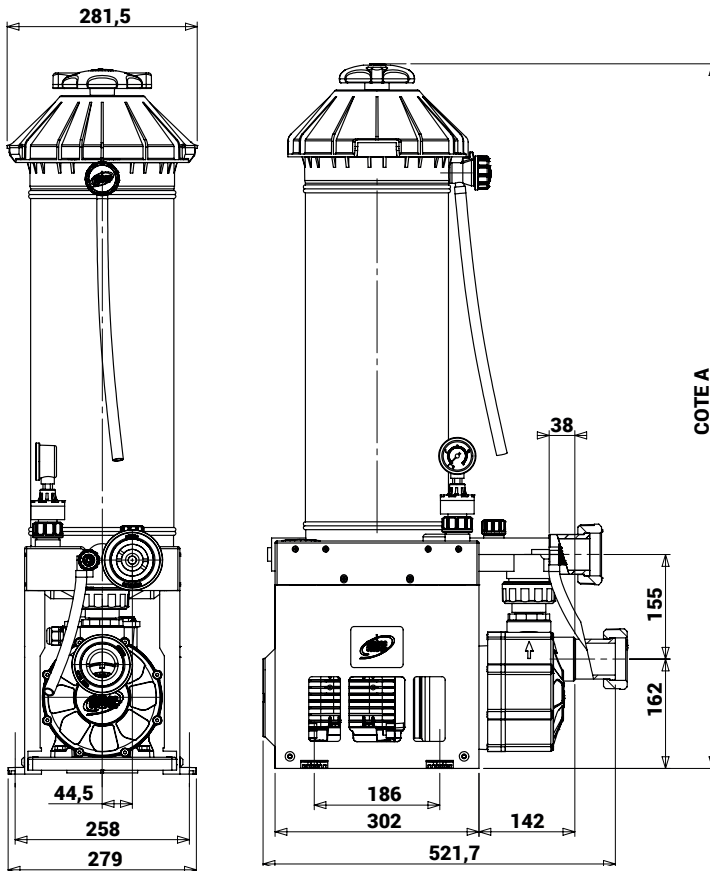
# L 31

## L51 - L81

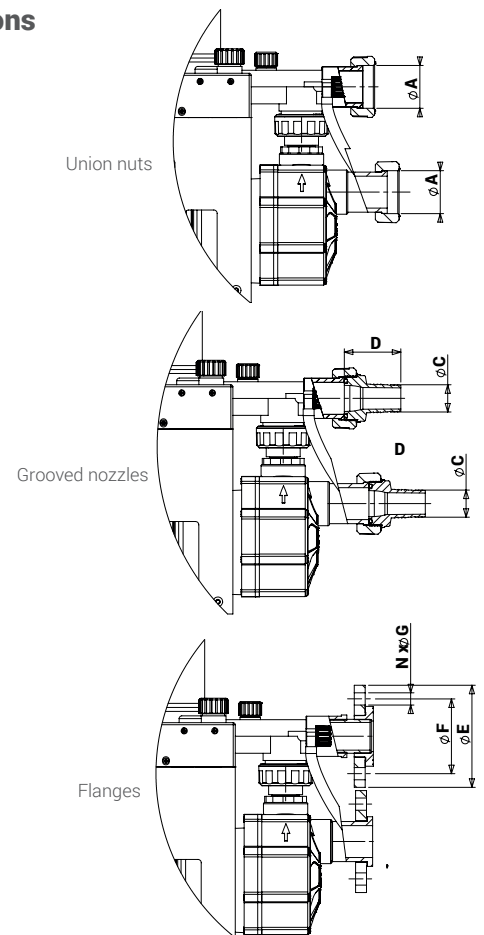


### L FILTERS

#### Dimensions



#### Connections

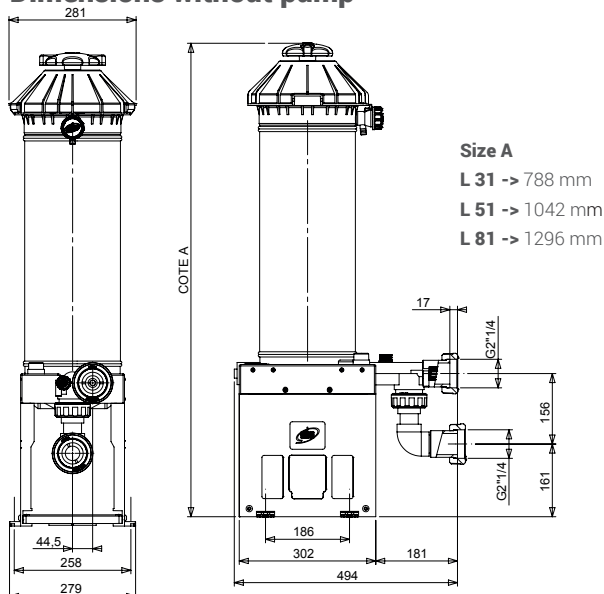


Size A  
 L 31 -> 788 mm  
 L 51 -> 1042 mm  
 L 81 -> 1296 mm

#### Connection sizes

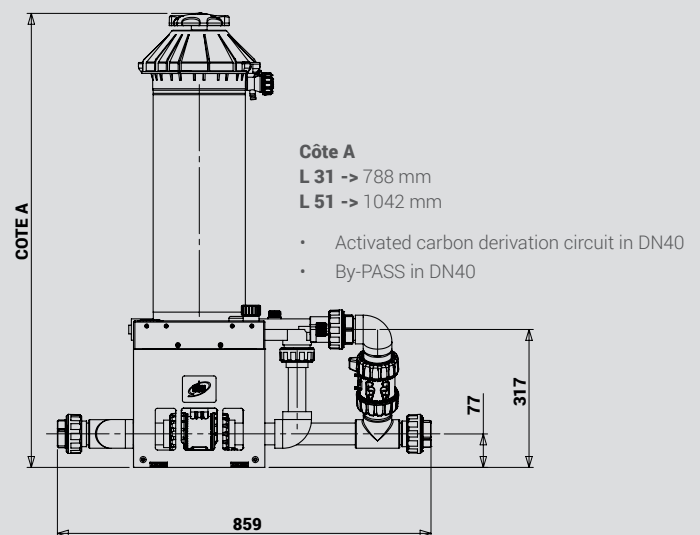
Filter types		Union nuts $\phi A$	Grooved nozzles $\phi C - D$	Flanges $\phi E - \phi F - N \times \phi G$
M100 M140	Pump inlet	2"1/4 (DN40)	$\phi 40 - 83$	$\phi 150 - \phi 110 - 4 \times \phi 18$
	Filter outlet	2"1/4 (DN40)	$\phi 40 - 83$	$\phi 150 - \phi 110 - 4 \times \phi 18$
M200 M250	Pump inlet	2"3/4 (DN50)	$\phi 50 - 117$	$\phi 165 - \phi 125 - 4 \times \phi 18$
	Filter outlet	2"1/4 (DN40)	$\phi 40 - 83$	$\phi 150 - \phi 110 - 4 \times \phi 18$
A18 A19	Pump inlet	2"1/4 (DN40)	$\phi 40 - 83$	$\phi 150 - \phi 110 - 4 \times \phi 18$
	Filter outlet	2"1/4 (DN40)	$\phi 40 - 83$	$\phi 150 - \phi 110 - 4 \times \phi 18$

#### Dimensions without pump



Size A  
 L 31 -> 788 mm  
 L 51 -> 1042 mm  
 L 81 -> 1296 mm

#### AC option for L31 -51 filters without pumps



Côte A  
 L 31 -> 788 mm  
 L 51 -> 1042 mm

- Activated carbon derivation circuit in DN40
- By-PASS in DN40