

A15



MECHANICAL SEALS PUMPS

Highlights

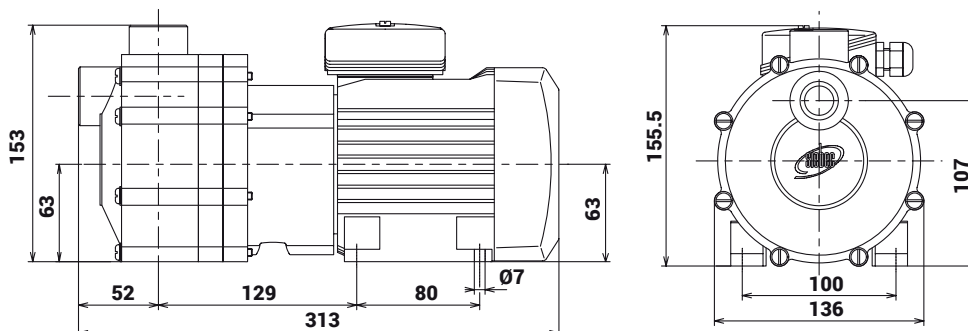
- Polypropylene : great resistance to acids and alkalines
- Closed centrifugal impeller with diffused : great efficiency
- Carbide/ carbide seal : great resistance to wear and tear
- Self repriming : up to 2m
- Integrated electrical motor
- Connections : standard grooved nozzles
- Option : union nuts, flanges



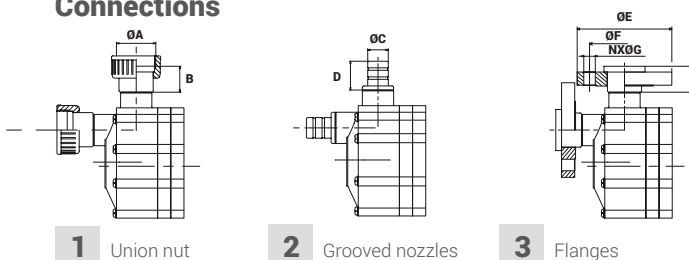
Technical features

Seals		Carbide / carbide (others on request)
Electric motor		-
Power supply - V		230 / 400 3ph
Frequency - Hz		50 / 60
Rotation speed - rpm		3 000
Motor power - kW		0,18
Max flowrate - m³/h		4,8
Max height - mWC		9
Max temperature - °C	PP	80
	PVDF	Not available
Density		<1,2
Gaskets	PP	EPDM - FPM - PTFE
	PVDF	Not available

Dimensions

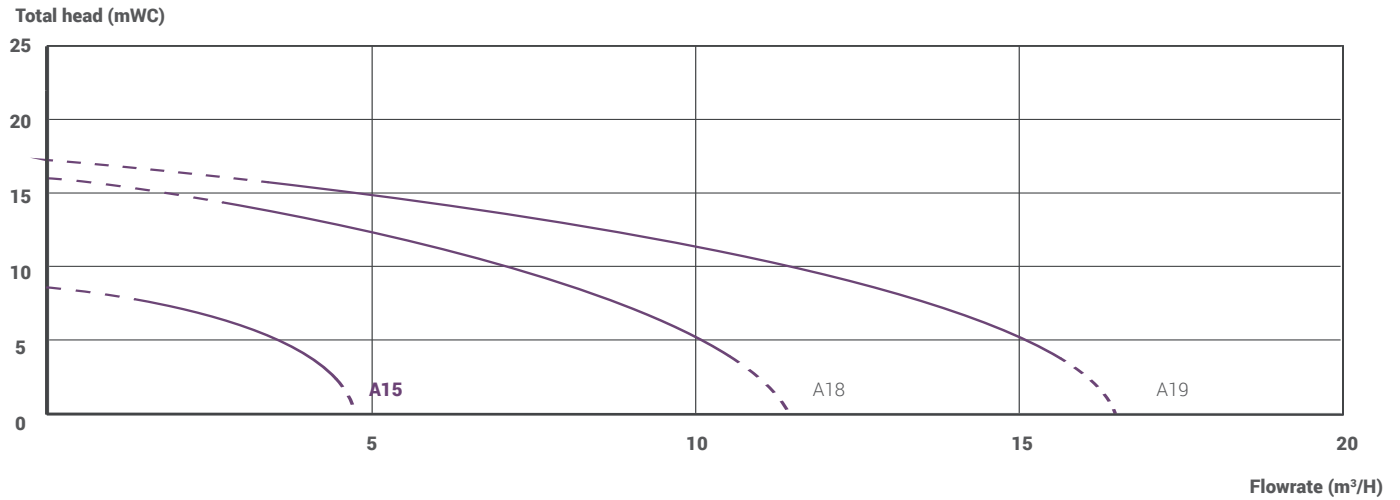


Connections

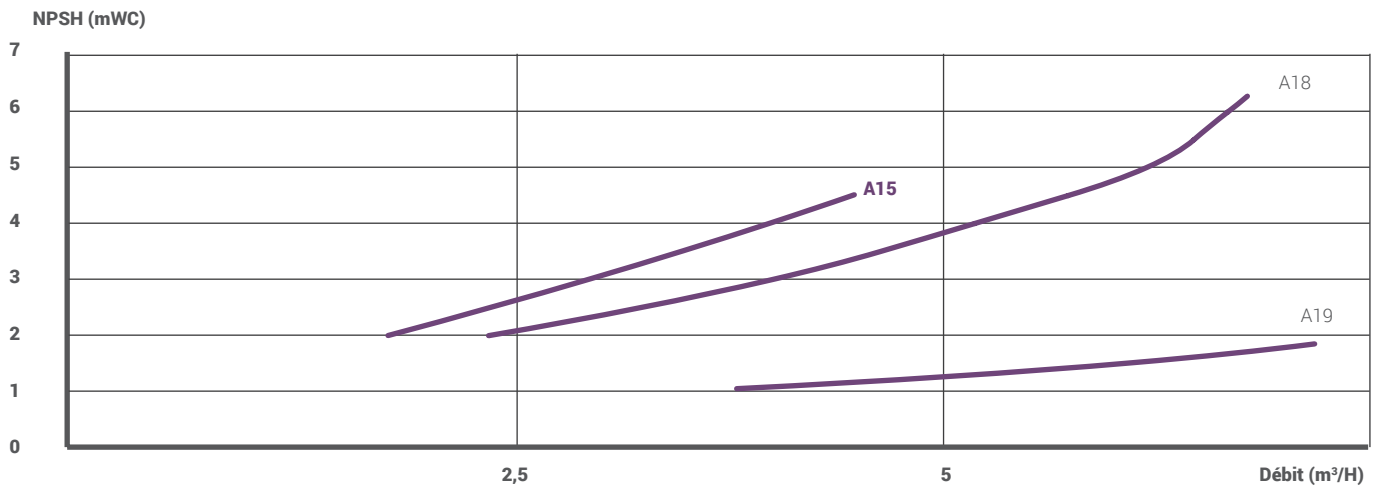


		Inlet	Outlet
1	ØA-B	G1" ½ - DN25 - 31.5	G1" ½ - DN25 - 31.5
2	ØC - D	Ø 25 - 35	Ø 25 - 35
3	ØE - ØF - NxØG - H	Ø115 - Ø185 - 4X14 - 31.5	Ø115 - Ø185 - 4X14 - 31.5

Flow rates chart



NPSH charts



Efficiency charts

