



APPLICATIONS :

filtration de bains de galvanoplastie
Filtering average volumes (500 to 3,000 liters) of galvanoplasty electrolytes (Nickel, Zinc, Copper, Chrome ...)

- **Filtering chemicals on process or before packaging**
- **Pharmaceutical industry**
- **Fish farming**

France

SIEBEC SAS
 9 rue des platanes
 ZAC Vence Ecoparc
 38120 SAINT-ÉGRÈVE
 Tél. : 33 (0)4 76 26 12 09
 Fax : 33 (0)4 76 27 04 82

www.siebec.com

England

SIEBEC UK Ltd
 Unit 3 - ST.Alban's BusinessPark
 ST. ALBAN'S RD
 STAFFORD - ST16 3DR
 Ph. : +44 (0)1 785 227 700
 Fax : +44 (0)1 785 246 006





Made of injected plastic (Polypropylene ou PVDF)

High resistance to acids and bases
Max. fluid temperature = 80°C (PP), 110°C (PVDF)

Filtration on L-TECH pleated cartridges

Washable cartridges with a very large filtering area (up to 10 m²),
low operating costs, filter gauge from 50 to 2 micron

Choice of optional, interchangeable filtration systems

FFiltration on paper with 20 to 96 plates dia. 195 mm
Filtration on 7 wound or spun-bonded cartridges of 10" / 20" / 30"
Filter gauge from 50 to 1 micron

Choice of magnetic or mechanical drive pump

Flow rate from 1.5 to 18 m³/h

Modular design

Very high capacity double chamber version

Version with dissolving tank

Allows the addition of additives or the use of filtration agents and activated carbon powder

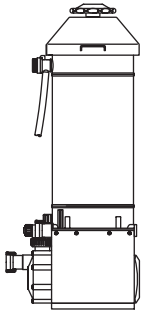
Option of activated carbon canister interchangeable with L-TECH cartridges

Treatment with activated carbon granulates





L filter range



L20 - L30 - L50 filters

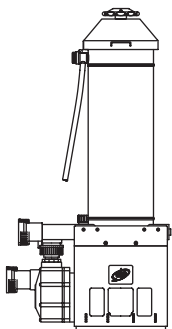
Technical features

- Pump models *M15-M50-M70*
- Max. output *from 1.5 m³/h to 5 m³/h*
- Filtering element *from 20 to 64 thin plates (0.45 to 1.44 m²)*
7 spun-bonded cartridges 10" or 20"
1 L TECH cartridge 10" or 20" (2.5 to 5 m²)
1 activated carbon canister (5.8 to 11.6 l)

DIMENSIONS



CURVES



L31 - L51 - L81 filters

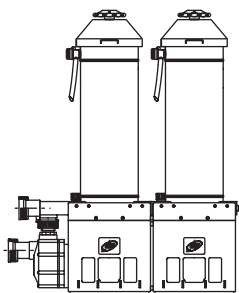
Technical features

- Pump models *M100-M140-M200-M250*
- Max. output *from 9 m³/h to 18 m³/h*
- Filtering element *from 32 to 96 thin plates (0.72 to 2.16 m²)*
7 spun-bonded cartridges 10", 20" or 30"
1 LTECH cartridge 10" or 20" (2.5 to 5 m²)
1 activated carbon canister (5.8 to 17.3 l)

DIMENSIONS



CURVES



L52 - L82 filters

Technical features

- Pump model *M140 - M200 - M250*
- Max. output *from 11 m³/h to 18 m³/h*
- Filtering element *2 x 64 or 96 thin plates (2 x 1.44 or 2 x 2.16 m²)*
2 x 7 spun-bonded cartridges 20" or 30"
2 LTECH cartridges 20" (2 x 5 m²)
2 activated carbon canisters (2 x 11.6 or 17.3 l)

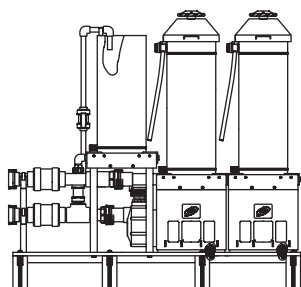
DIMENSIONS



CURVES



L filter range

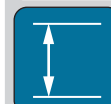


L58 - L88 filters

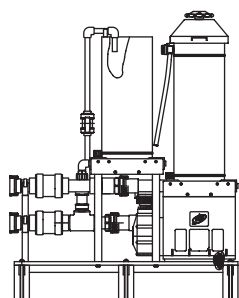
Technical features

- Pump model *M140 - M200 - M250*
- Max. output *from 11 m³/h to 18 m³/h*
- Filtering element *2 x 64 or 96 thin plates (2 x 1.44 or 2 x 2.16 m²)*
2 x 7 spun-bonded cartridges 20" or 30"
2 LTECH cartridges 20" (2 x 5 m²)
2 active carbon canisters (2 x 11.6 or 17.3 l)
16 liters pre-coat tank

DIMENSIONS



CURVES

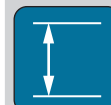


L59 - L89 filters

Technical features

- Pump model *M140 - M200 - M250*
- Max. output *from 11 m³/h to 18 m³/h*
- Filtering element *from 64 to 96 thin plates (1.44 to 2.16 m²)*
7 spun-bonded cartridges 20" or 30"
1 LTECH cartridge 20" (5 m²)
1 active carbon canister (11.6 or 17.3 l)
16 liters pre-coat tank

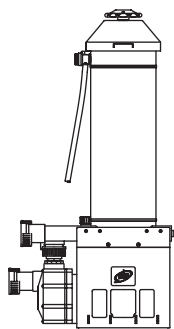
DIMENSIONS



CURVES



L filter range

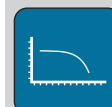


L31 - L51 PVDF filters

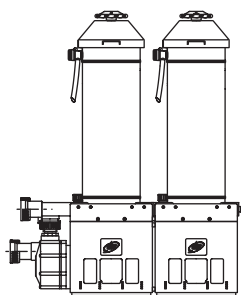
Technical features

- Pump models *M100-M140-M200-M250*
- Max. output *from 9 m³/h to 18 m³/h*
- Filtering element *from 32 to 64 thin plates (0.72 to 1.44 m²)
7 glass fiber cartridges 10" or 20"*

DIMENSIONS



CURVES

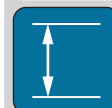


L52 PVDF filters

Technical features

- Pump model *M140 - M200 - M250*
- Max. output *from 11 m³/h to 18 m³/h*
- Filtering element *2 x 64 thin plates (2 x 1.44 m²)
2 x 7 glass fiber cartridges 20"*

DIMENSIONS



CURVES



Filtering elements



Washable cartridge with a very large filtering area (5 m²), low operating costs, filter gauge from 50 to 2 micron

Activated carbon canister interchangeable with the L-TECH cartridge



Filtration on 7 wound or spun-bonded cartridges of 10" / 20" / 30"
Filter gauge from 50 to 1 micron

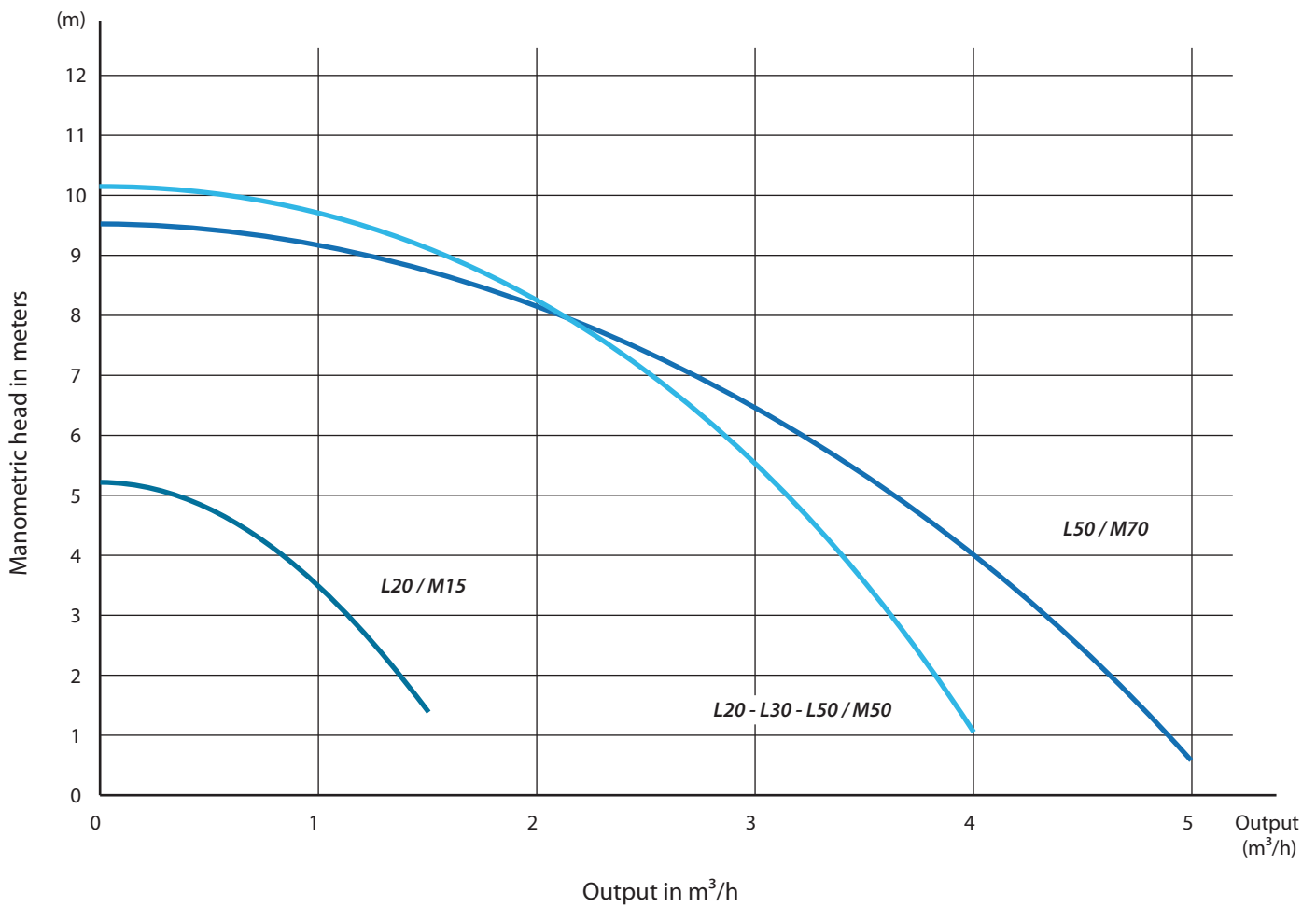
Filtration on paper with 20 to 96 plates dia. 195 mm 0.45 à 2.16 m²





L20 to L50 filters

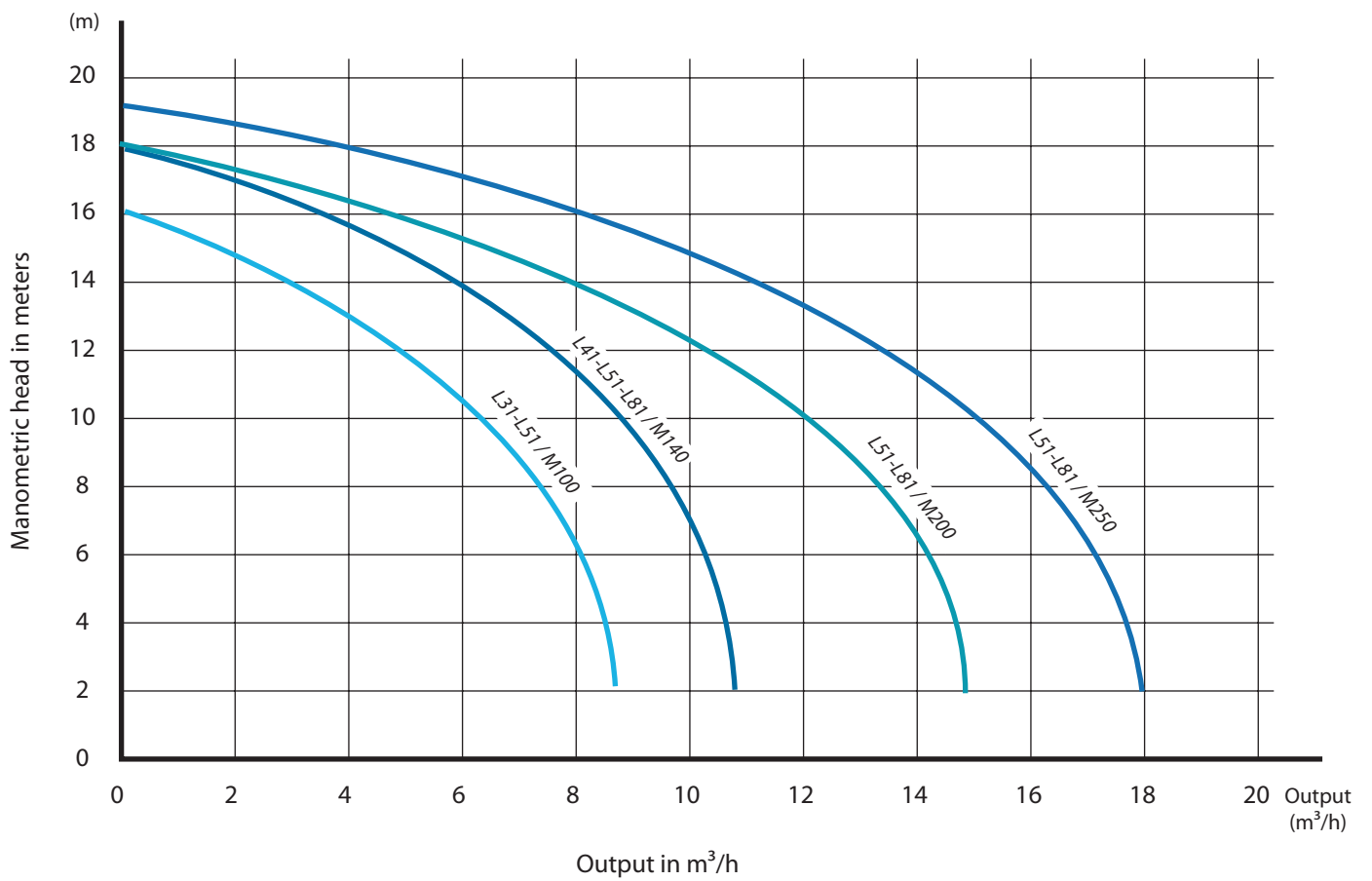
- Manometric head in meters
- Output in m^3/h





L31 to L81 filters

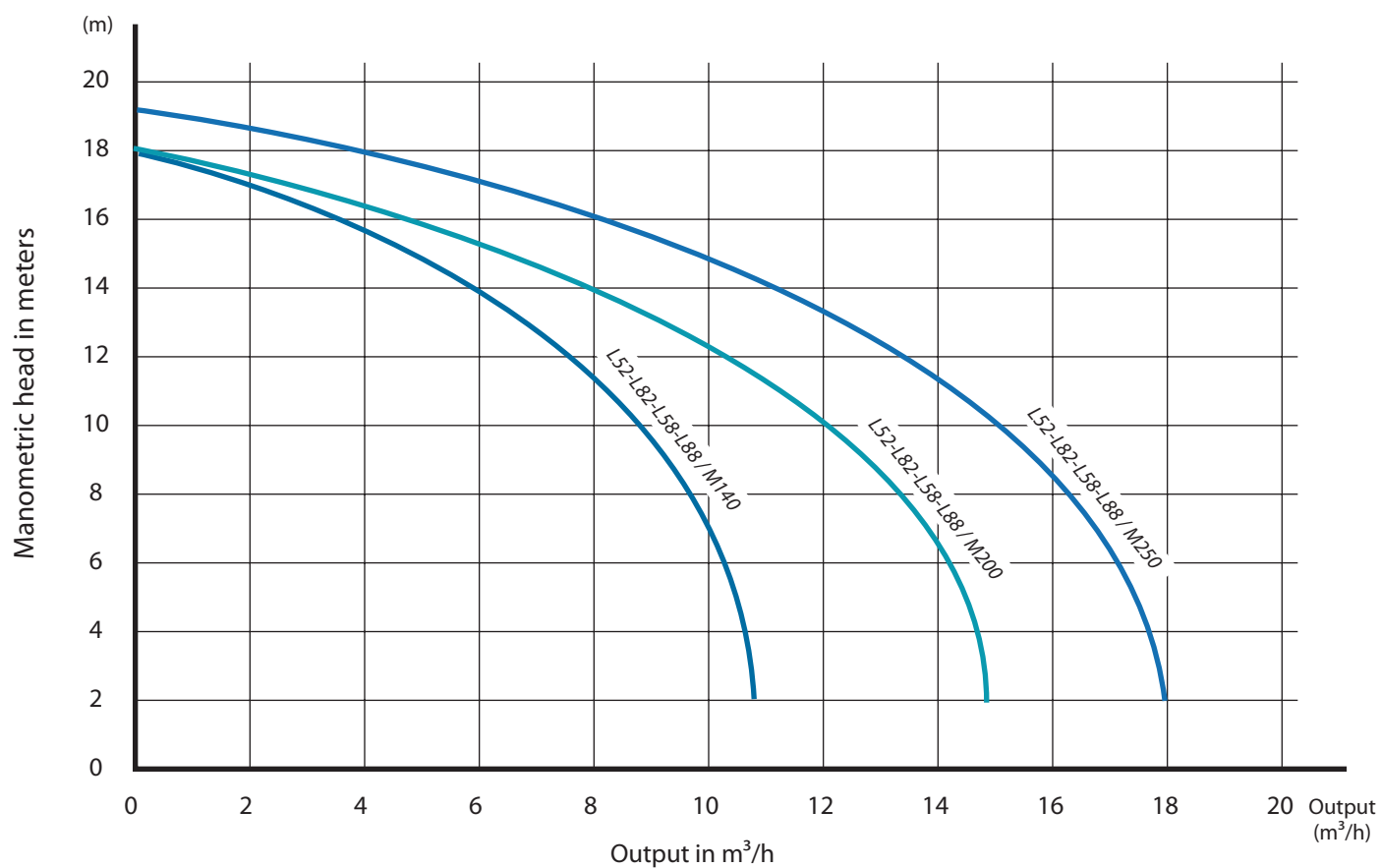
- Manometric head in meters
- Output in m^3/h





L52 -L58-L82-L88 filters

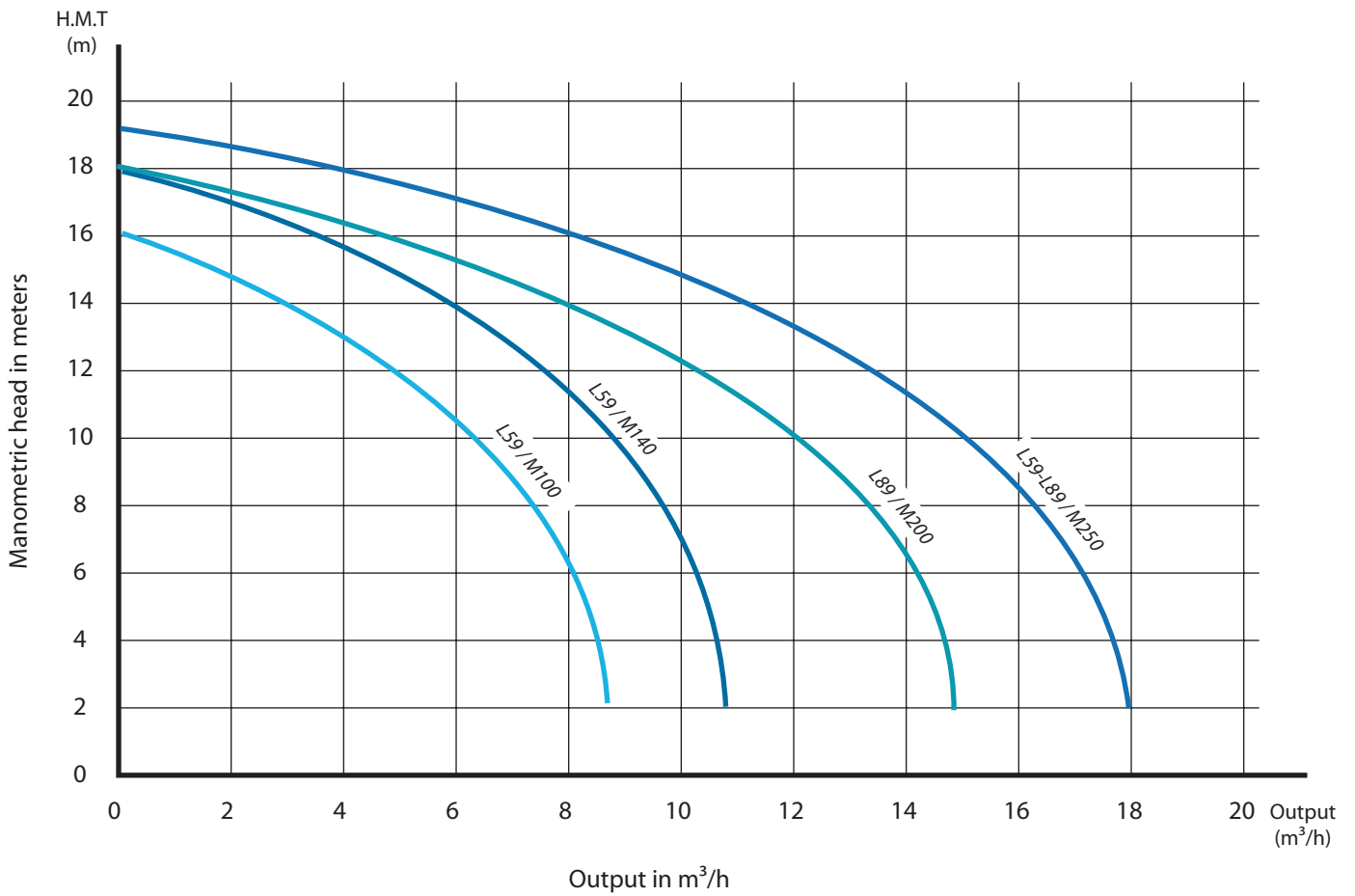
- *Manometric head in meters*
- *Output in m³/h*





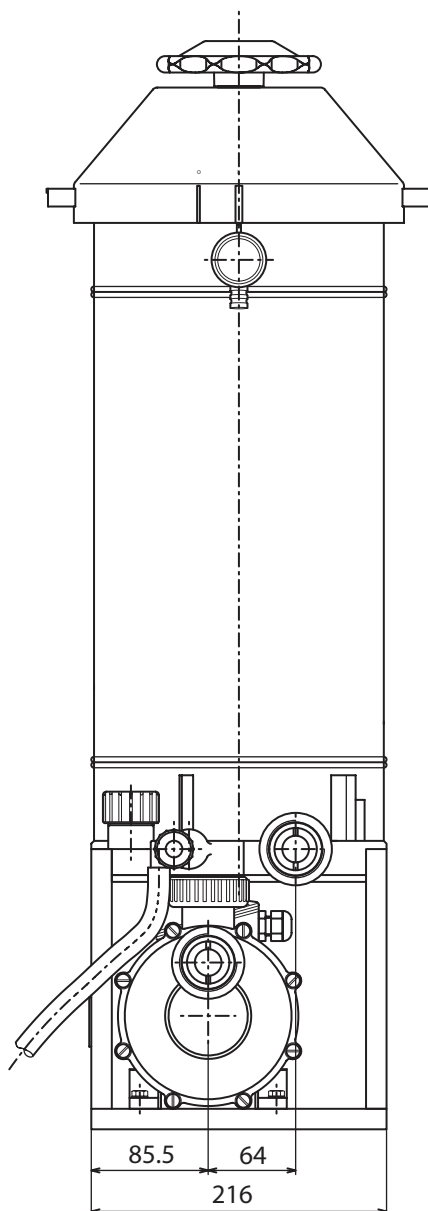
L59 to L89 filters

- Manometric head in meters
- Output in m^3/h



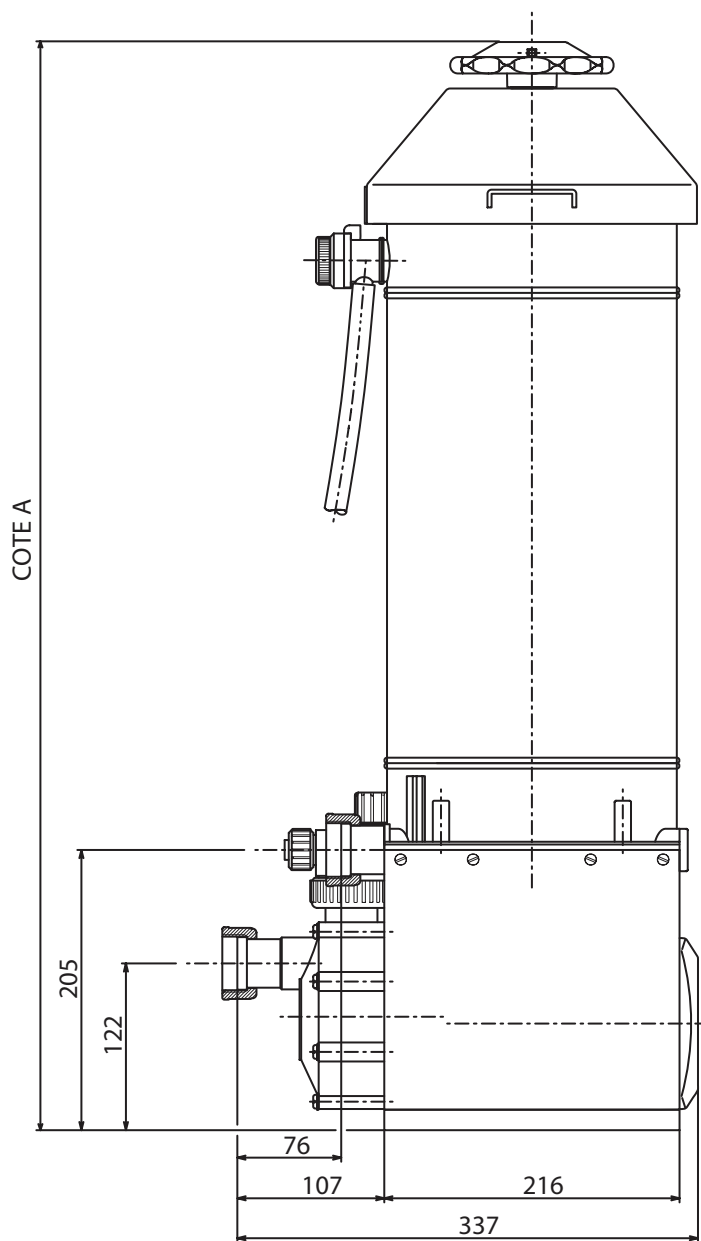


Filters L20 to L50





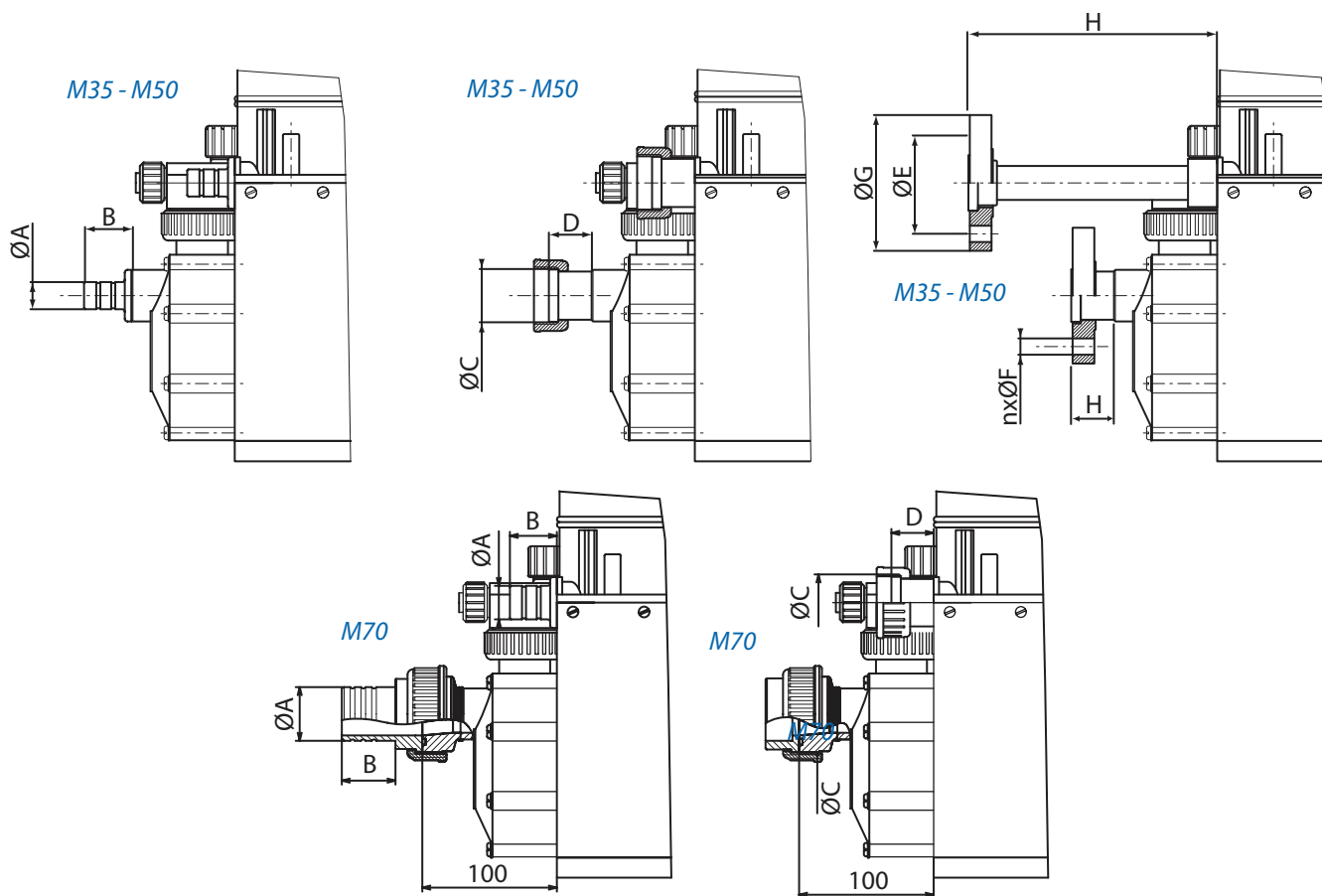
Filters L20 to L50



| Filter model | Size A |
|--------------|--------|
| L20 | 600 mm |
| L30 | 696 mm |
| L50 | 950 mm |



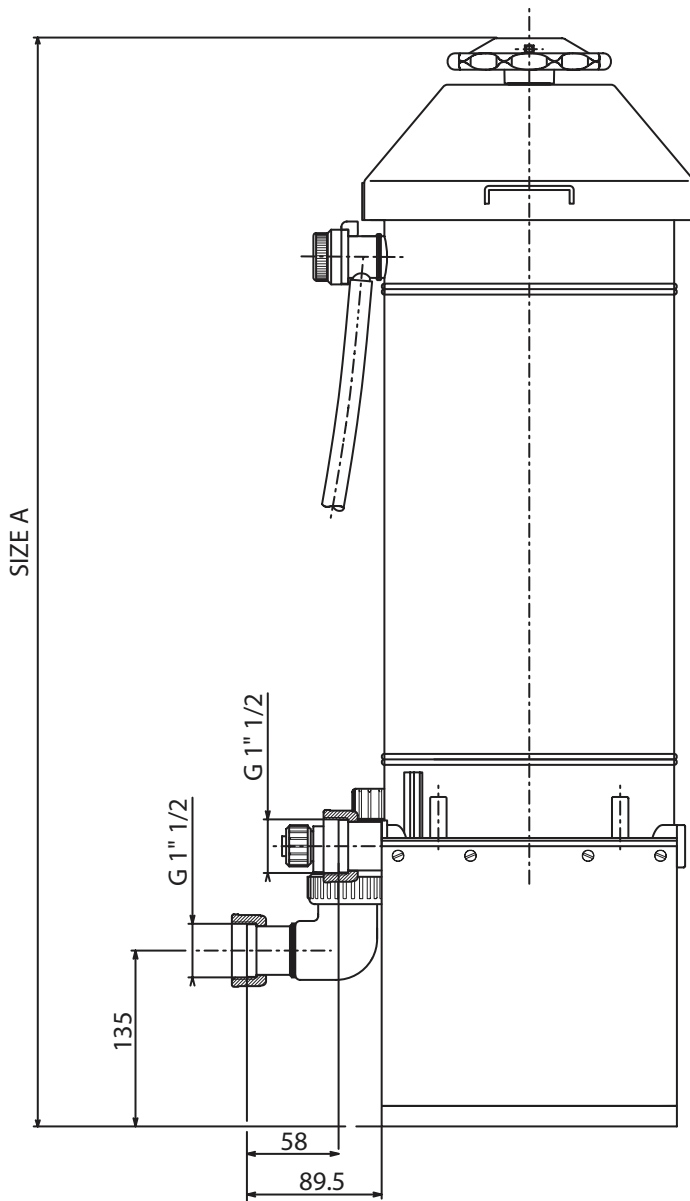
Filters L20 to L50



| Pump models | | Grooved nozzle | Union nut | Flange fitting |
|-------------|---------------|---------------------|--------------------------|--|
| | | $\varnothing A - B$ | $\varnothing C$ (DN) - D | $\varnothing G - \varnothing E - n \times \varnothing F - H$ |
| M35 | <i>inlet</i> | 20 - 35 | G1"1/4 - DN20 - 31,5 | 100 - 75 - 4x14 - 31.5 |
| | <i>outlet</i> | 20 - 35 | G1"1/4 - DN20 - 31,5 | 100 - 75 - 4x14 - 220 |
| M50 | <i>inlet</i> | 25 - 35 | G1"1/2 - DN25 - 31,5 | 100 - 75 - 4x14 - 31.5 |
| | <i>outlet</i> | 25 - 35 | G1"1/2 - DN25 - 31,5 | 100 - 75 - 4x14 - 220 |
| M70 | <i>inlet</i> | 40 - 60 | G2" - DN32 - 54 male | - |
| | <i>outlet</i> | 25 - 35 | G1"1/2 - DN25 - 31,5 | - |



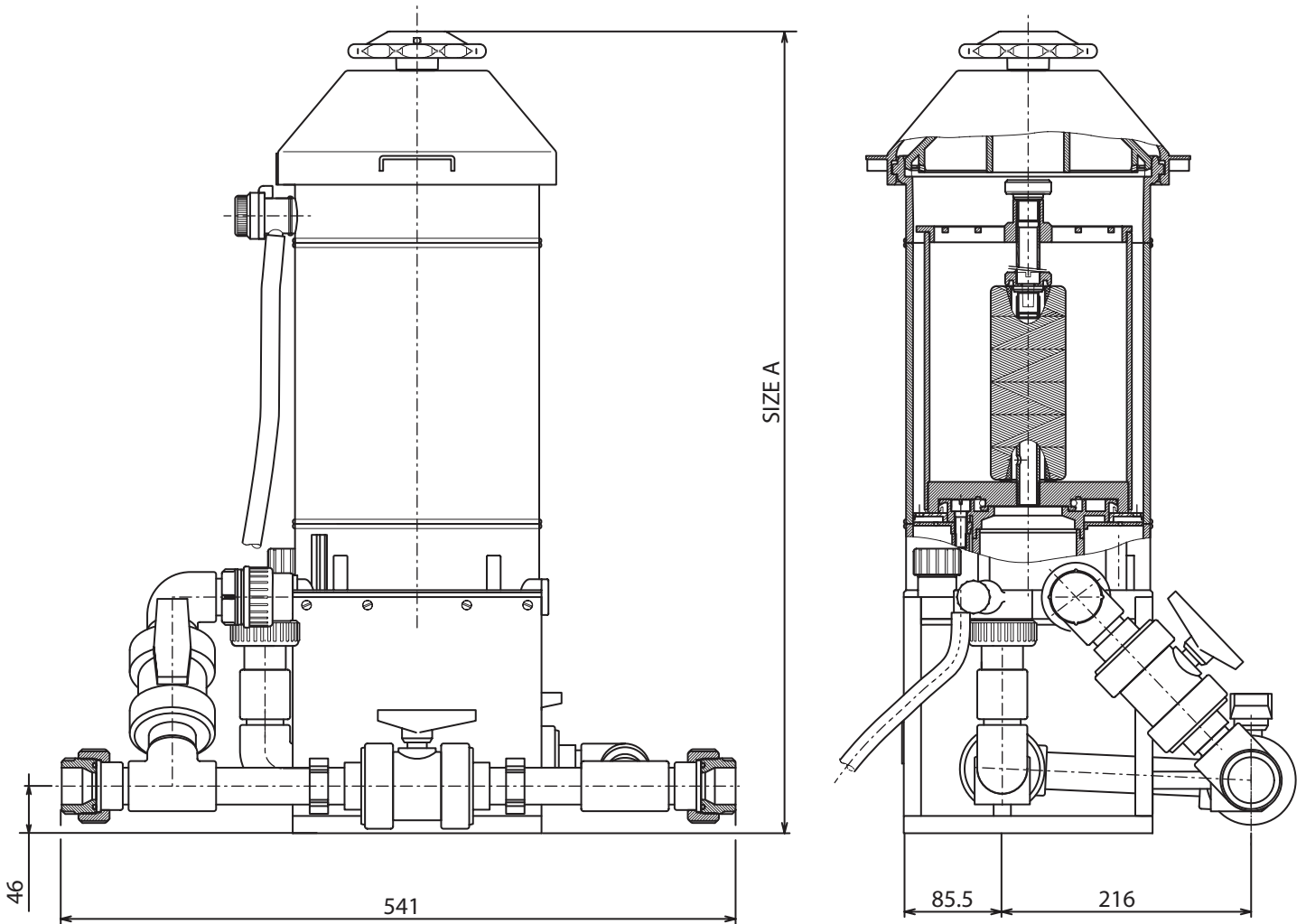
Filters L30 & L50 without pump



| Filter model | Size A |
|--------------|--------|
| L30 | 696 mm |
| L50 | 950 mm |



Optional activated carbon piping for filters L30 & L50 without pump

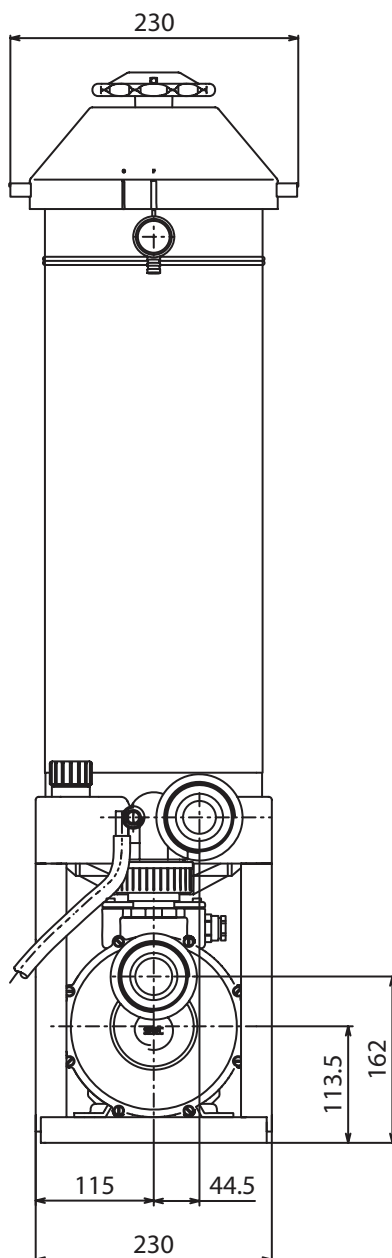


- ACTIVATED CARBON PIPING IN DN25
- BY-PASS PIPING IN DN32

| Filter model | Size A |
|--------------|--------|
| L30 | 696 mm |
| L50 | 950 mm |

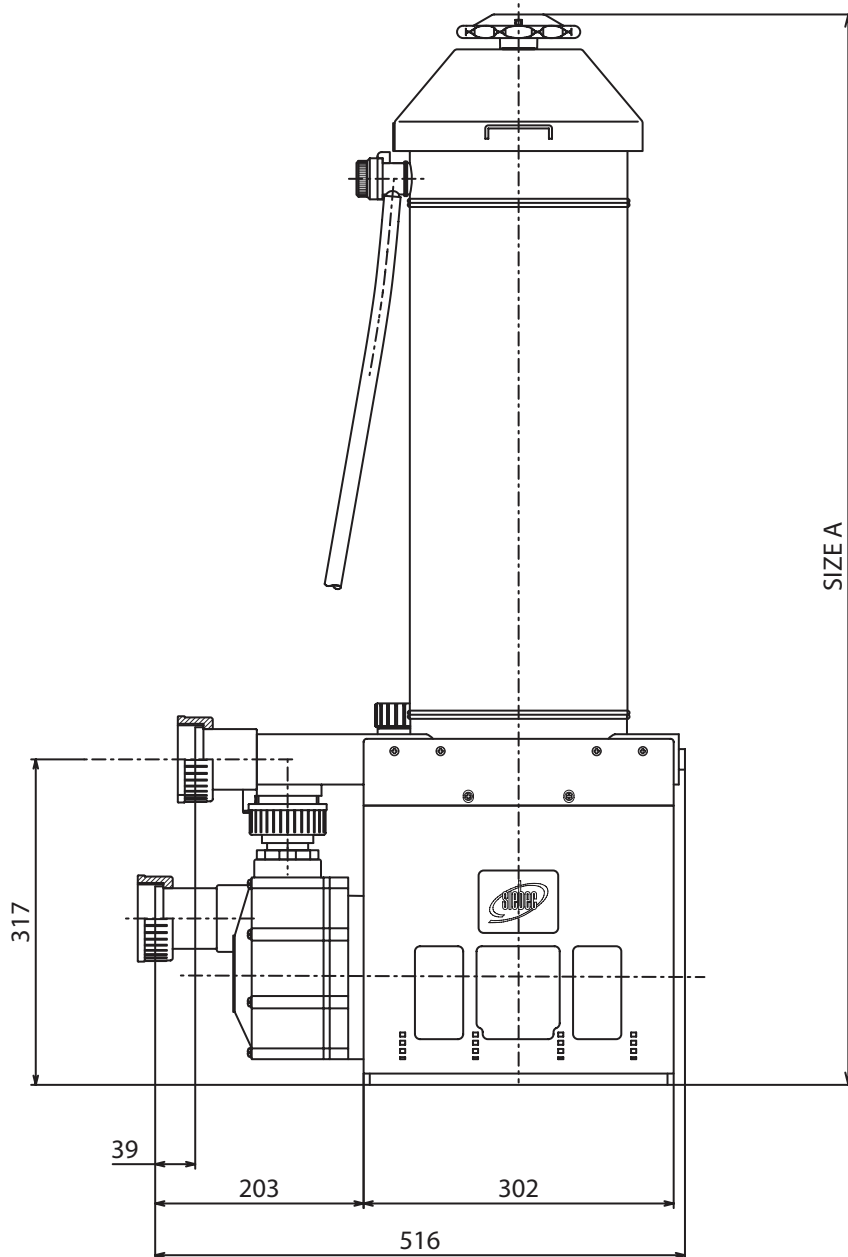


Filtres L31 à L81





Filters L31 to L81

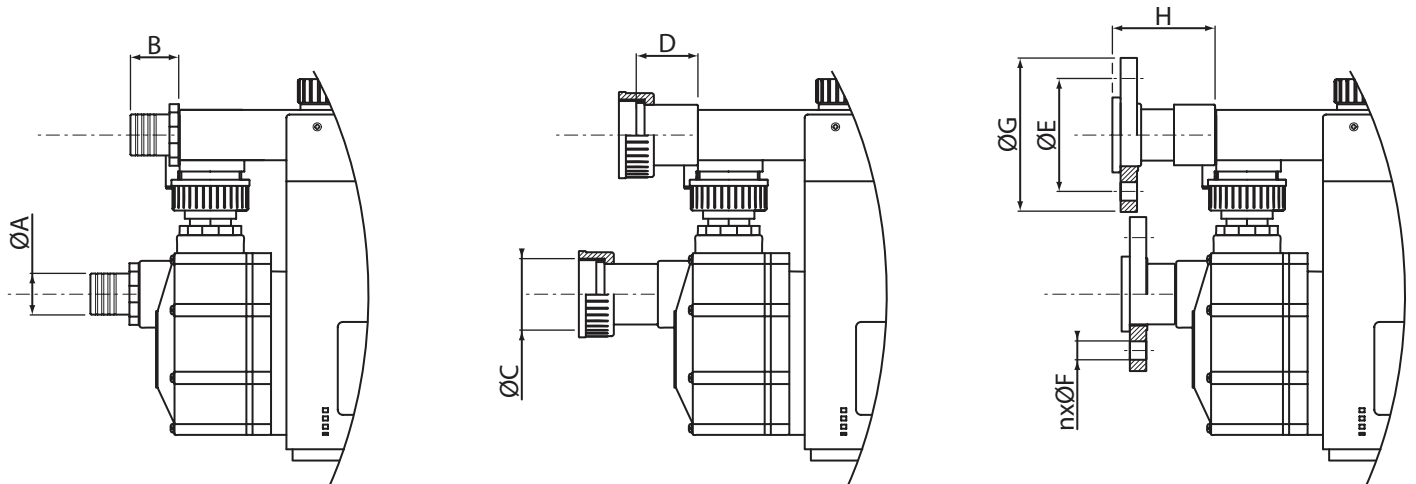


| Filter model | Size A |
|--------------|---------|
| L31 | 788 mm |
| L41 | 908 mm |
| L51 | 1042 mm |
| L81 | 1296 mm |





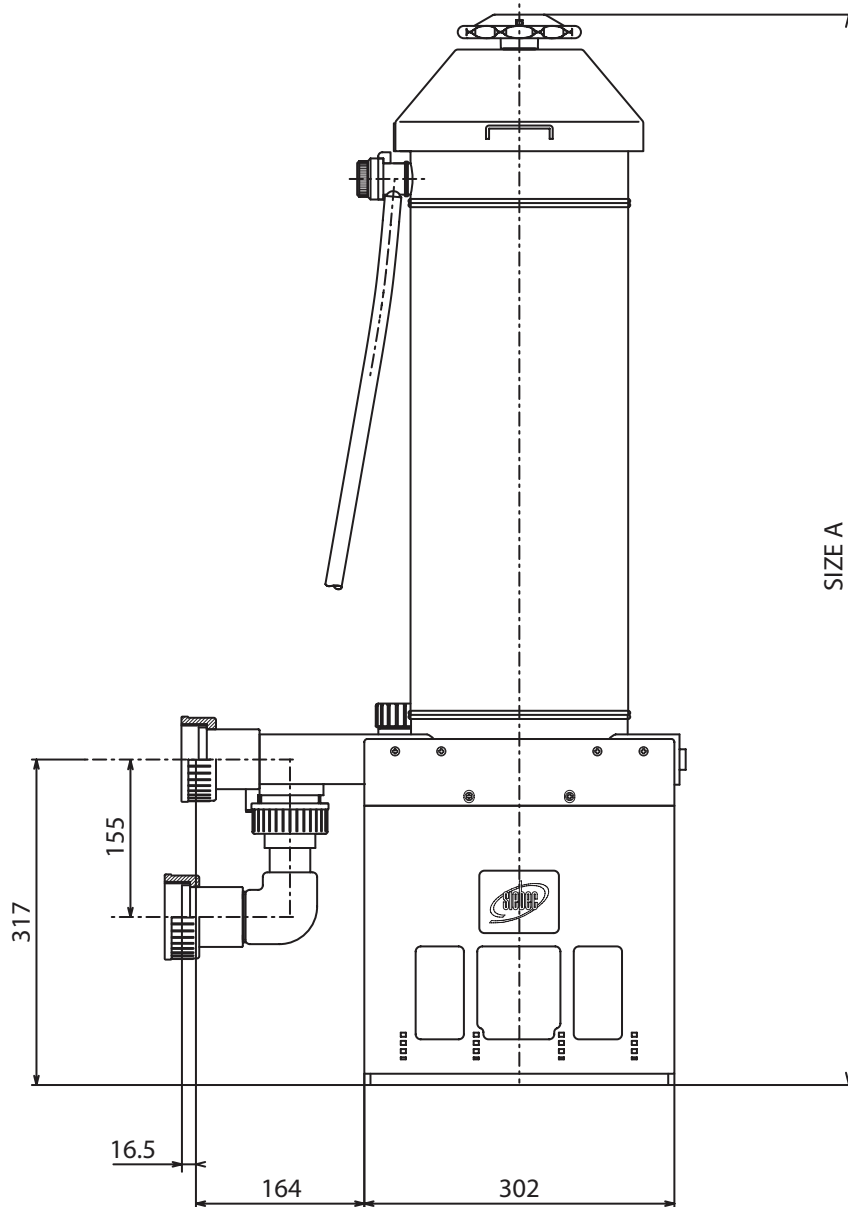
Connections of filters L31 to L81



| Pump model | | Grooved nozzle | Union nut | Flange |
|-------------|---------------|----------------|--------------------|-----------------------|
| | | ØA - B | ØC (DN) - D | ØG - ØE - nxØF - H |
| M100 - M140 | <i>inlet</i> | 40 - 47 | G2"1/4 - DN40 - 60 | 150 - 110 - 4x18 - 60 |
| | <i>outlet</i> | 40 - 47 | G2"1/4 - DN40 - 60 | 150 - 110 - 4x18 - 60 |
| M200-M250 | <i>inlet</i> | 50 - 55 | G2"3/4 - DN50 - 60 | 165 - 125 - 4x18 - 60 |
| | <i>outlet</i> | 40 - 47 | G2"1/4 - DN40 - 60 | 150 - 110 - 4x18 - 60 |
| A18 - A19 | <i>inlet</i> | 40 - 47 | G2"1/4 - DN40 - 60 | 150 - 110 - 4x18 - 60 |
| | <i>outlet</i> | 40 - 47 | G2"1/4 - DN40 - 60 | 150 - 110 - 4x18 - 60 |



Filters L31 to L81 without pump

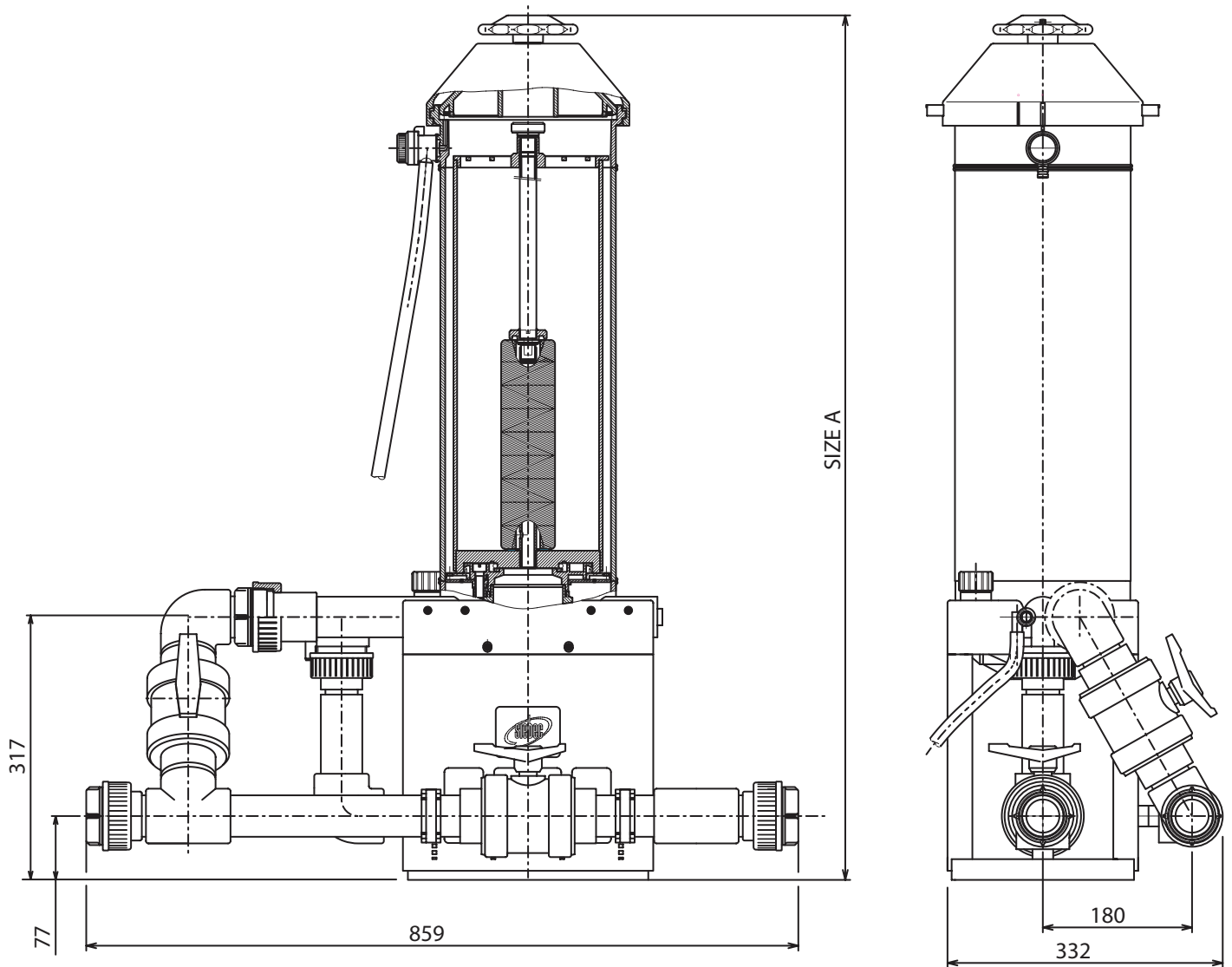


| Filter model | Size A |
|--------------|---------|
| L31 | 788 mm |
| L51 | 1042 mm |
| L81 | 1296 mm |





Optional activated carbon piping for filters L31 to L81 without pump

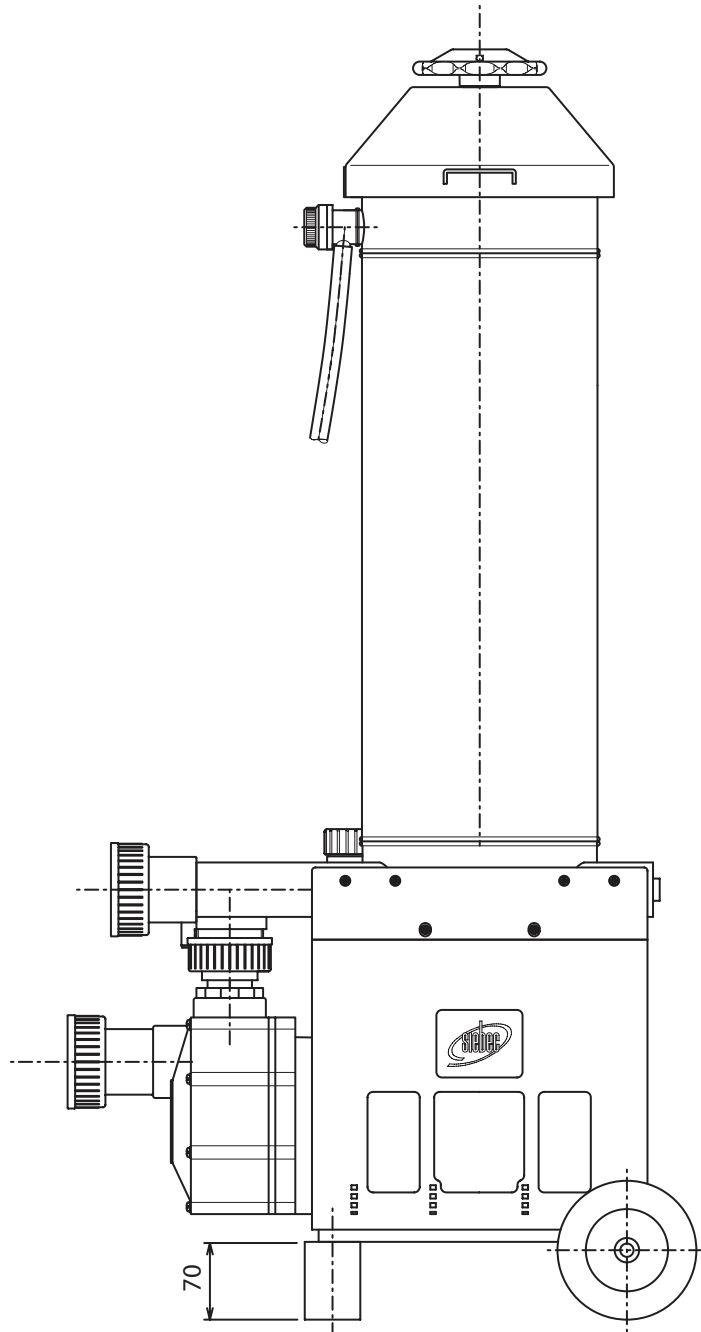


-ACTIVATED CARBON AND BY-PASS PIPING IN DN40

| Filter model | Size A |
|--------------|---------|
| L31 | 788 mm |
| L51 | 1042 mm |
| L81 | 1296 mm |

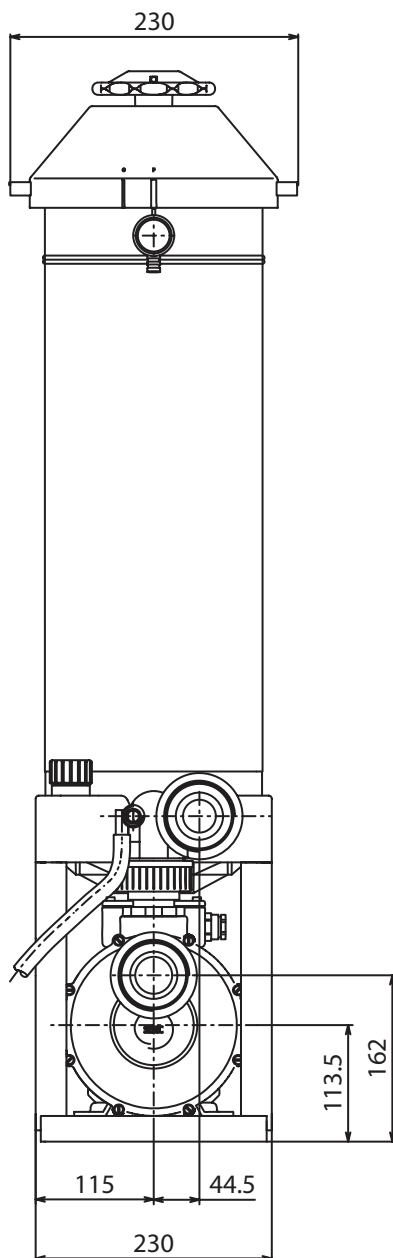


Optional "easy move" kit for filters L31 to L81



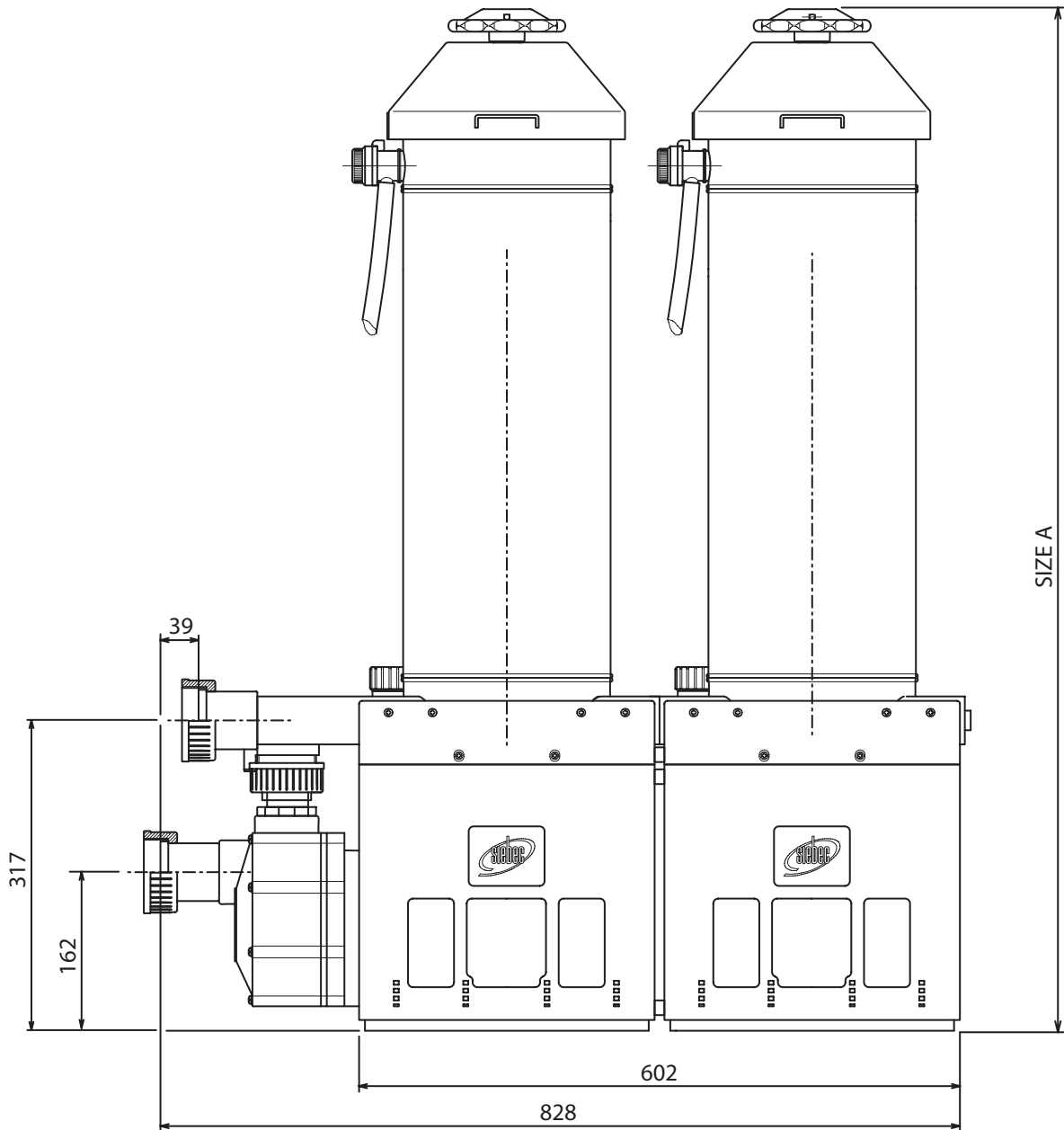


Filters L52 & L82





Filters L52 & L82



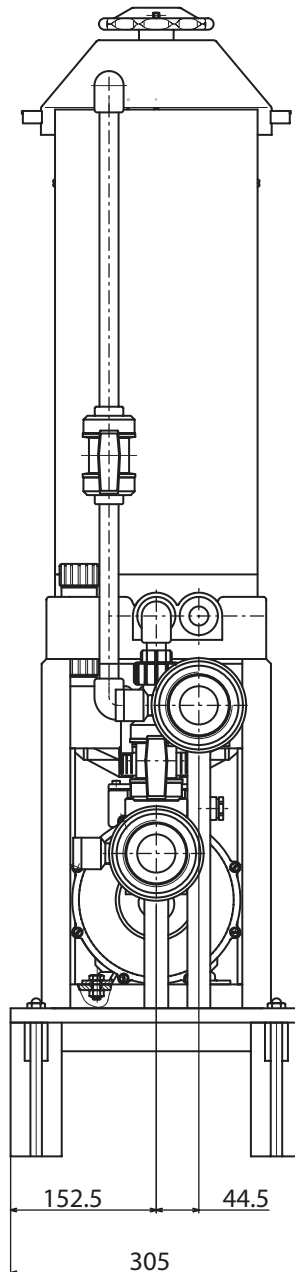
| Pump model | M140 | A19 | M200 - M250 |
|------------|----------|----------|-------------|
| Inlet | G 2" 1/4 | G 2" 1/4 | G 2" 3/4 |
| Outlet | G 2" 1/4 | G 2" 1/4 | G 2" 1/4 |

| Filter model | Size A |
|--------------|---------|
| L52 | 1042 mm |
| L82 | 1290 mm |



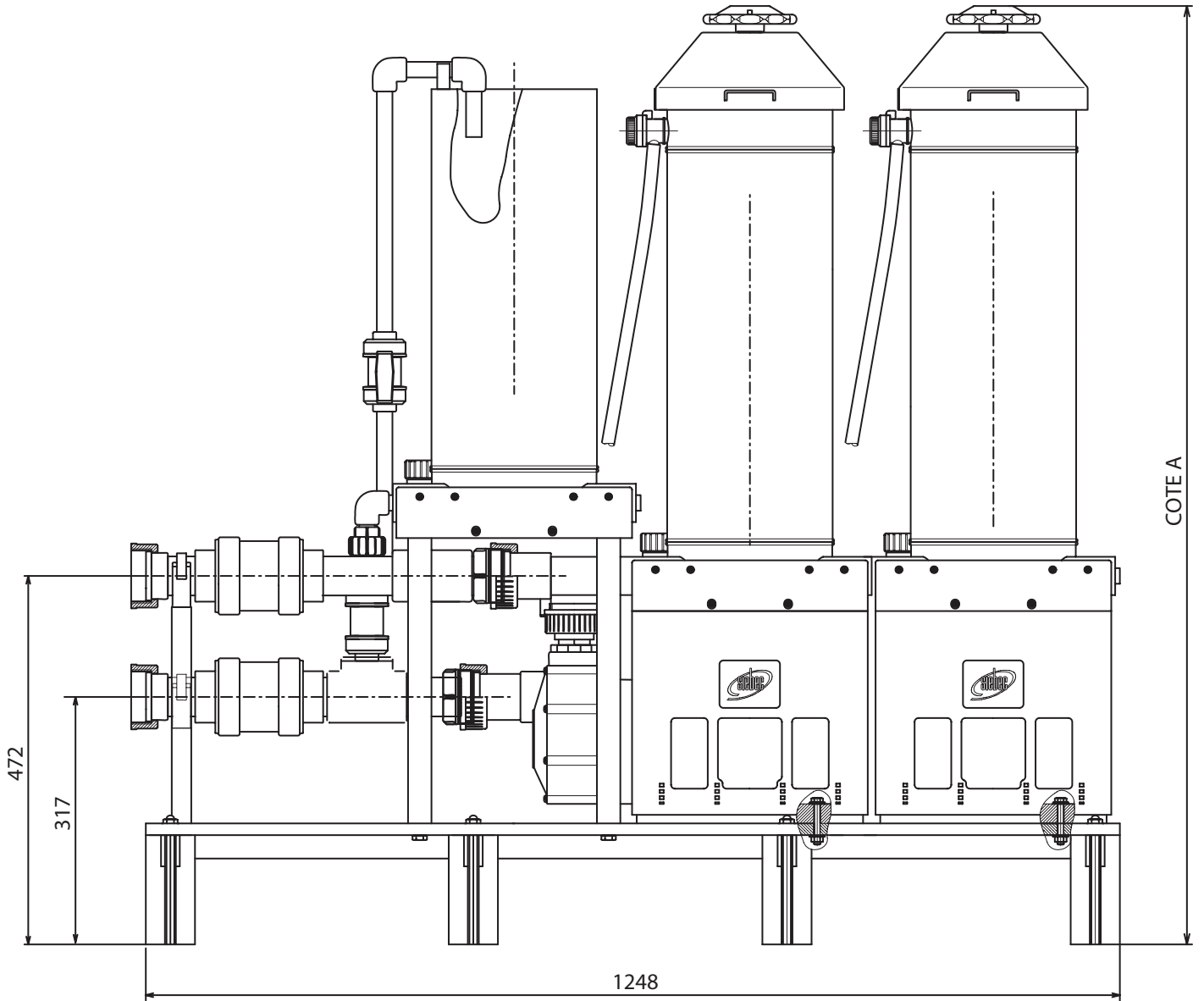


Filters L58 & L88





Filters L58 & L88



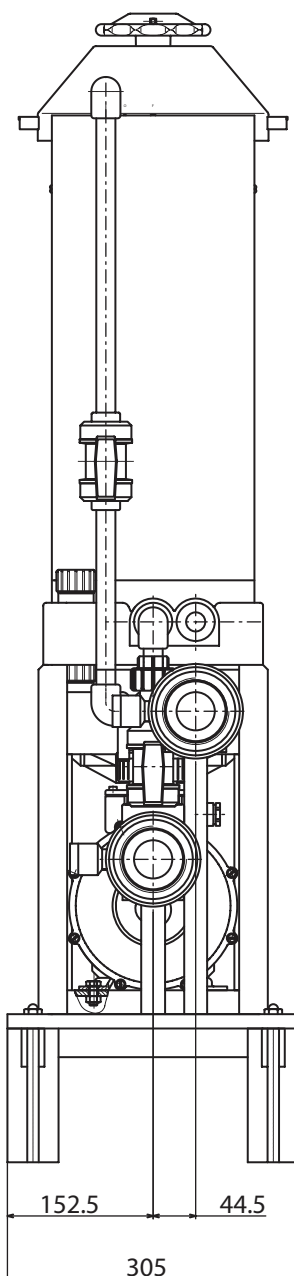
| Pump model | M140 | A19 | M200-M250 |
|---------------|----------|----------|-----------|
| <i>inlet</i> | G 2" 1/4 | G 2" 1/4 | G 2" 1/4 |
| <i>outlet</i> | G 2" 1/4 | G 2" 1/4 | G 2" 1/4 |

| Filter model | Size A |
|--------------|---------|
| L58 | 1202 mm |
| L88 | 1456 mm |



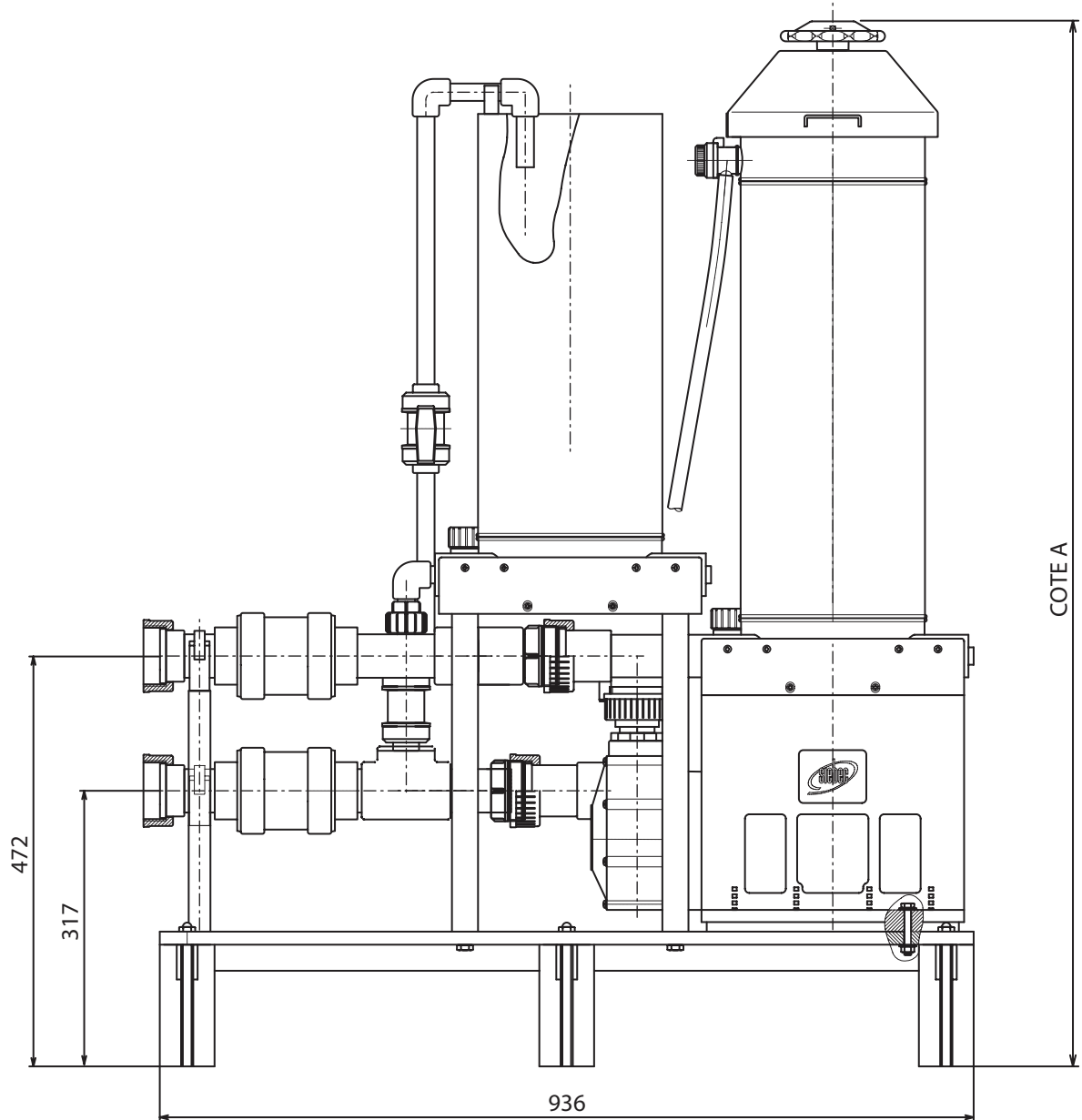


Filters L59 & L89





Filters L59 & L89



| Pump model | M100-M140 | A18-A19 | M200-M250 |
|------------|-----------|----------|-----------|
| inlet | G 2" 1/4 | G 2" 1/4 | G 2" 3/4 |
| outlet | G 2" 1/4 | G 2" 1/4 | G 2" 1/4 |

| Filter model | Size A |
|--------------|---------|
| L59 | 1202mm |
| L89 | 1456 mm |