

A31P

A32P - A33P - A32



MECHANICAL SEALS PUMPS

Highlights

- Polypropylene (A31P - A32P- A33P) or Rubber lined cast iron (A32) : great resistance to acids and alkalines
- Integrated electrical motor IE3 : great efficiency
- Closed centrifugal impeller : great efficiency
- Carbide / carbide seal : long service life (dry run forbidden)
- Connection : union nuts, flanges

A31P - A32P - A33P

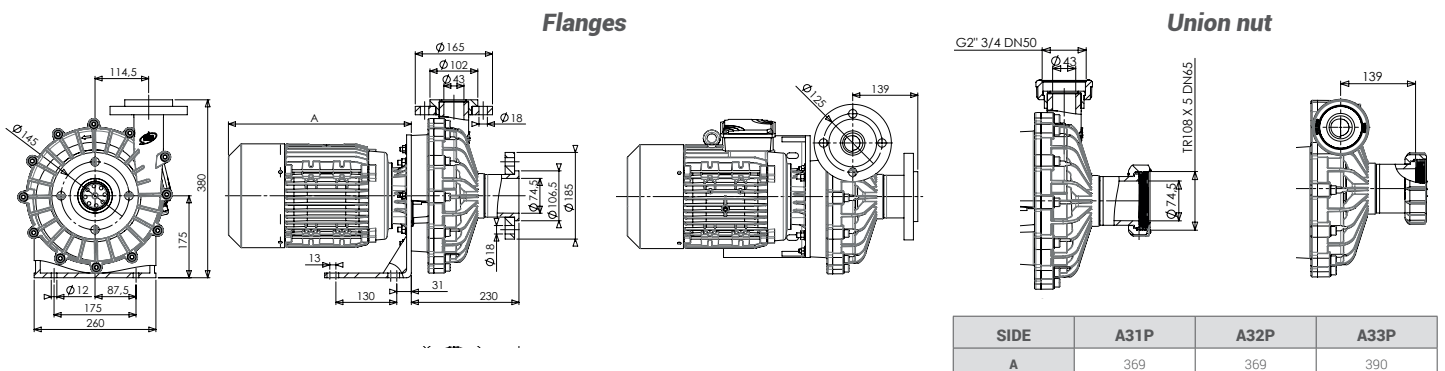
A32



Technical features

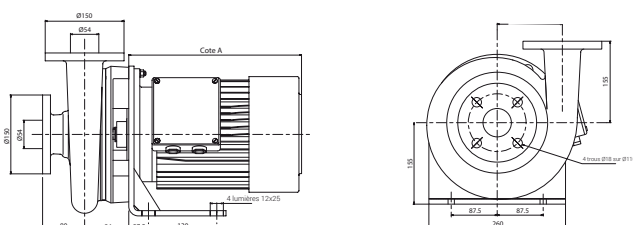
	A31 P	A32 P	A33 P	A32
Seals	Carbide / carbide (others on request)			
Electric motor	IE3			
Power supply - V	230 / 400 3ph			
Frequency - Hz	50 / 60			
Rotation speed - rpm	3 000			
Motor power - kW	5,5 - 7,5 3ph	7,2 3ph	4 - 5,5 3ph	7,5 3ph
Max flowrate - m³/h	52	57	48	58
Max height - mWC	32	41	36	46,5
Max temperature - °C	PP	80	80	Fonte ebonité : 80
	PVDF	-	-	-
Density	< 1,1 - 1,5	< 1	< 1 - 1,25	< 1
Gaskets	PP	EPDM - FPM	EPDM - FPM	EPDM - FPM
	PVDF	-	-	-

Dimensions



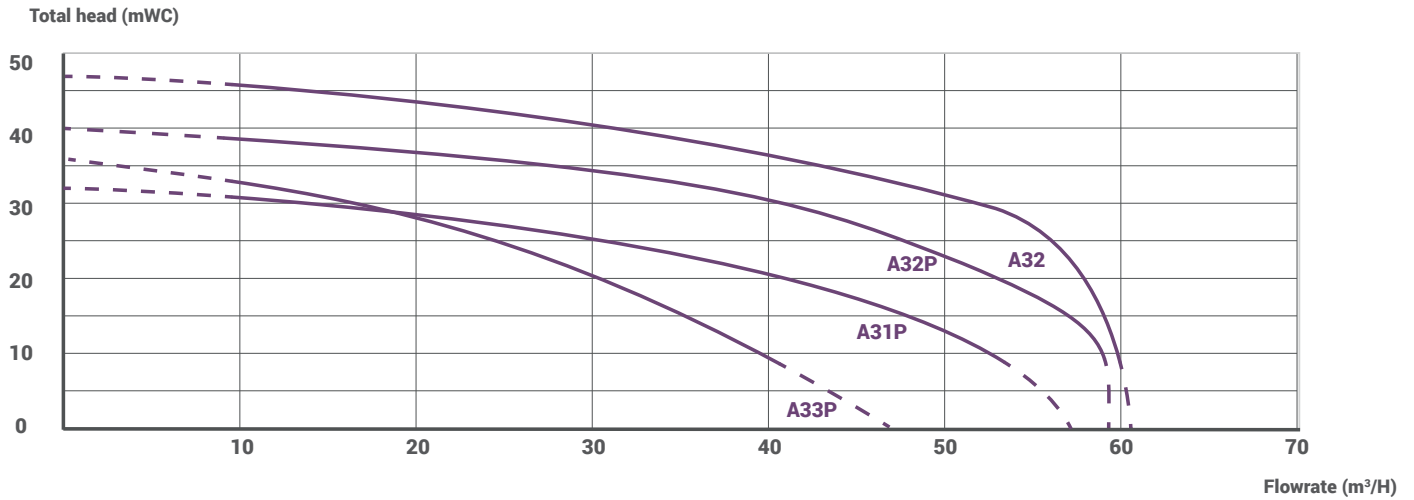
SIDE	A31P	A32P	A33P
A	369	369	390

Dimensions A32

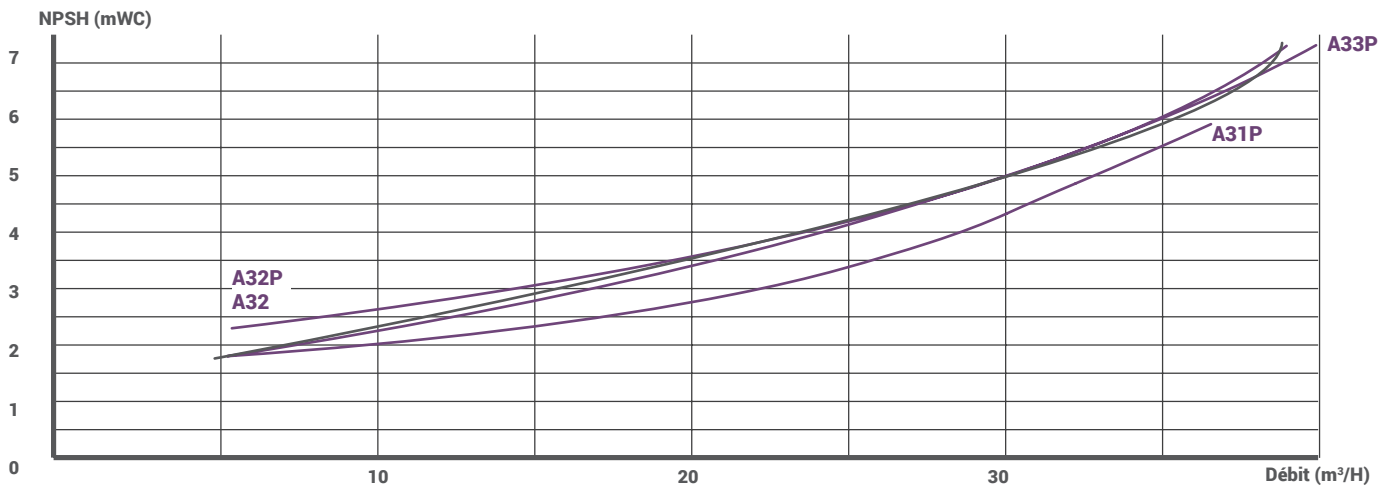


SIDE A	A32
LAFERT	362
LEROY	350

Flow rates chart



NPSH charts



Efficiency charts

