

L 20

L30 - L50

L FILTERS



Highlights

- Injected polypropylene or PVDF : great resistance to acids and alkalines
- Welded tank : no gaskets, no risk of leaking
- Side pannels protecting the the pump from splashing
- One handed quick opening lid
- Large interchangeable range of filtration medias



Technical features

Materials		PP - PVDF
Gaskets		EPDM - FPM - NBR
Max Temperature	PP	80°C
	PVDF	110°C
Filtration rate		0,2 -> 100 µm
Pumps		M15 - M50 - M70
Flowrate		1,5 up to 6,5 m³/h
Connection		Threaded, union nut, grooved nozzle, flanges
Dissolution tank		Not available

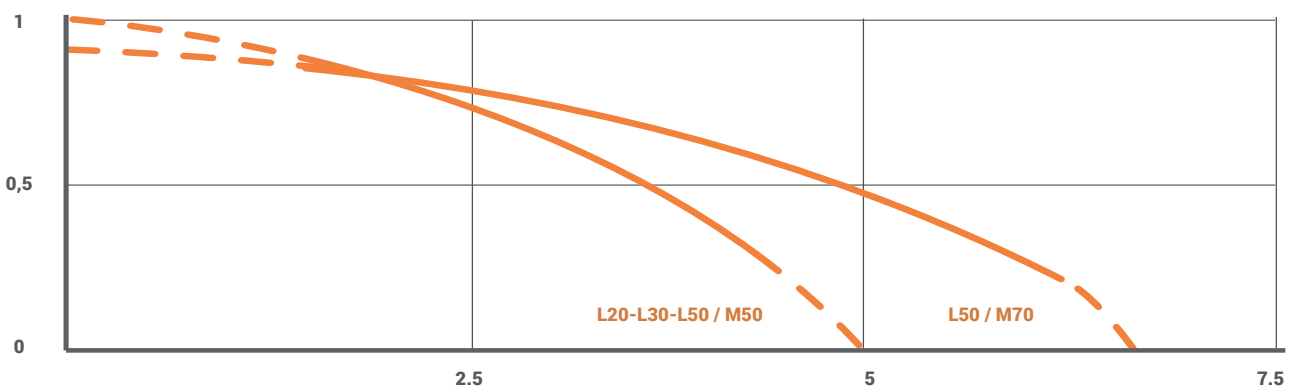
Filtration medias



- 1 L-TECH pleated cartridge :** 10" or 20" (2,5 ou 5m²)
- 2 Wound cartridge :** 7 x 10" or 20"
- 3 Plates :** 20 up to 64 (0,45 up to 1,44 m²)
- 4 Activated carbon :** 5,8 or 11,6 L
- 5 Bags :** 1 size 10

Flowrate charts

Total Head (mWC)



*Flow rates measured with 1 L-TECH cartridge with 20°C water. Flow rate varies depending on the filtration media.

Flowrate (m³/h)

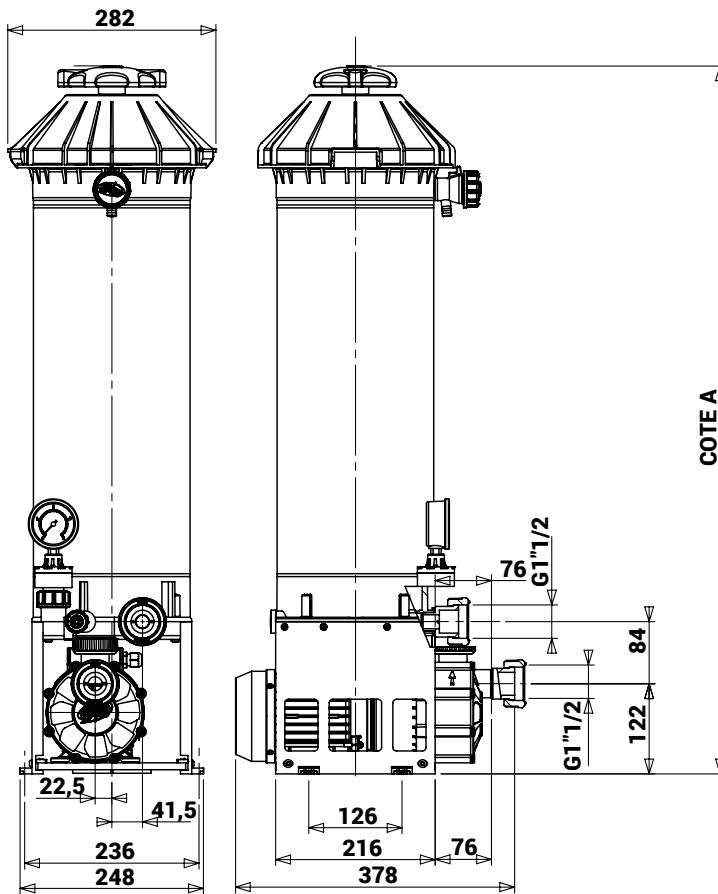
L 20

L30 - L50

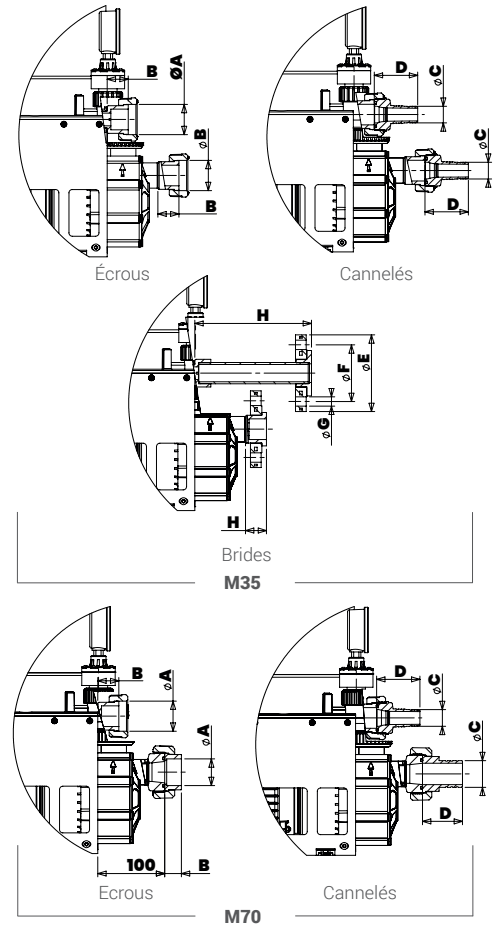


L FILTERS

Dimensions



Connections

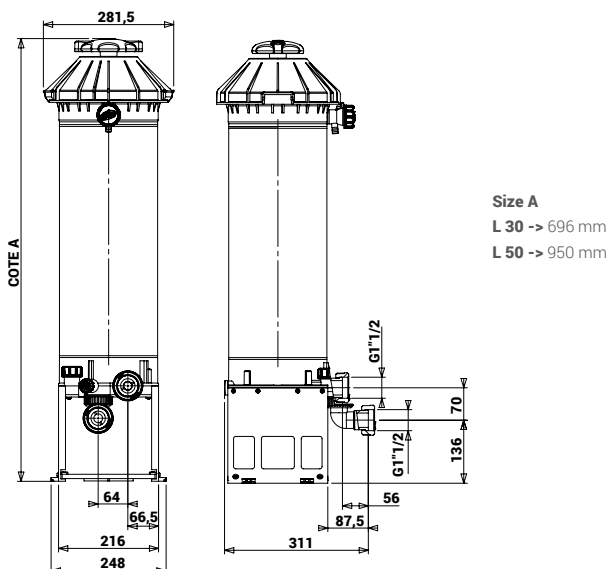


Size A
 L 20 -> 600 mm
 L 30 -> 696 mm
 L 50 -> 950 mm

Connection sizes

	Filter type	Union nut ØA - B	Grooved nozzles ØC - D	Brides ØE - ØF - NxØG - H
M35	Pump inlet	G 1 1/4 (DN20)- 31,5	Ø20 - 50	Ø100 - Ø75 - 4x Ø12 - 31,5
	Filter outlet	G 1 1/4 (DN20)- 31,5	Ø20 - 50	Ø100 - Ø75 - 4x Ø12 - 175
M50	Pump inlet	G 1 1/2 (DN25)- 31,5	Ø25 - 65	Ø115 - Ø85 - 4x Ø14 - 31,5
	Filter outlet	G 1 1/2 (DN25)- 31,5	Ø25 - 65	Ø115 - Ø85 - 4x Ø14 - 175
M70	Pump inlet	G 2" (DN32)	Ø25 - 65	-
	Filter outlet	G 1 1/2 (DN25)- 31,5	Ø40 - 60	-

Dimensions without pump



Size A
 L 30 -> 696 mm
 L 50 -> 950 mm

AC option for L30 -50 filters without pumps

