

L 59

L89

L FILTERS



Highlights

- Injected polypropylene or PVDF : great resistance to acids and alkalines
- Welded tank : no gaskets, no risk of leaking
- Side pannels protecting the the pump from splashing
- One handed quick opening lid
- Large interchangeable range of filtration medias



Technical features

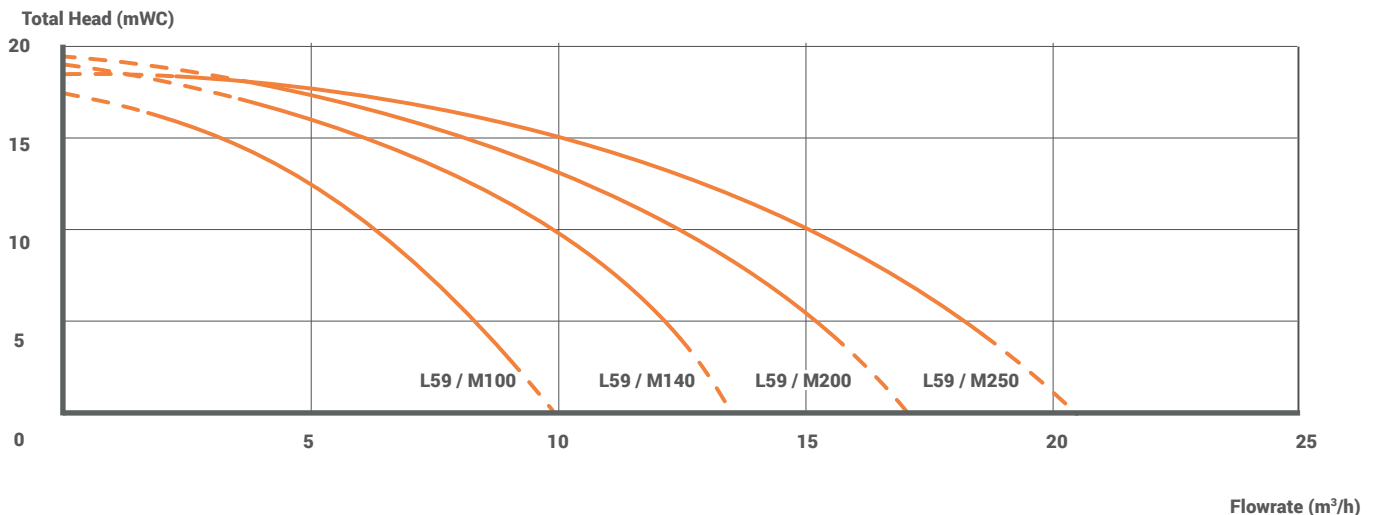
Materials		PP - PVDF
Gaskets		EPDM - FPM - NBR
Max Temperature	PP	80°C
	PVDF	110°C
Filtration rate		0,2 -> 100 µm
Pumps		M100 - M140 - M200 - M250
Flowrate		PP : 11.5 to 21 m³/h - PVDF : 9 to 21 m³/h
Connection		Threaded, Union nut, grooved nozzle, flanges
Dissolution tank		16 L

Filtration medias



- 1 LTECH pleated cartridge :** 20" or 30" (5 or 7,5m²)
- 2 Wound cartridge :** 7 x 20" or 30"
- 3 Plates :** 64 or 96 (1,44 m² or 2,16 m²)
- 4 Activated carbon :** 11.6 up to 17.3L
- 5 Bags :** 1 size 10

Flowrate charts



L 59

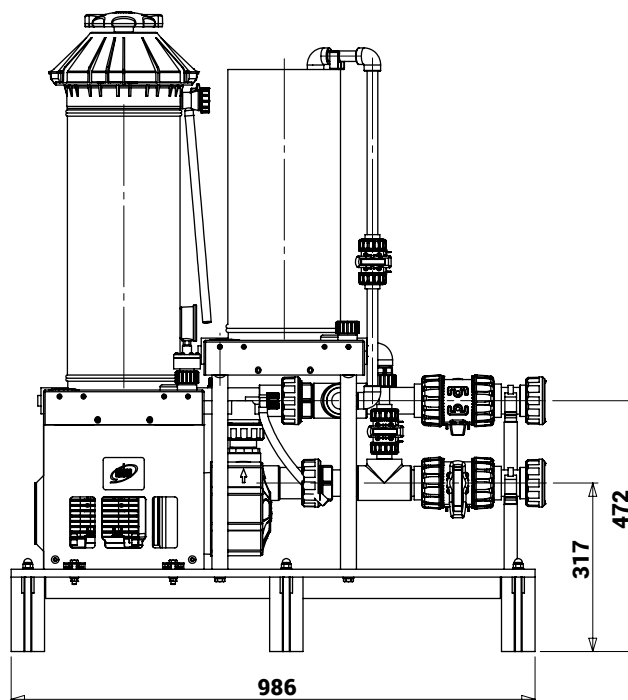
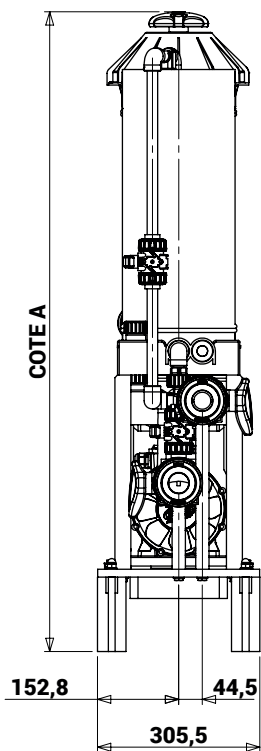
L89



L FILTERS

Dimensions

Connections

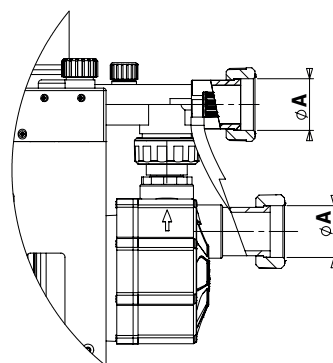


Side A

L 59 -> 1202 mm

L 89 -> 1456 mm

Connections



Pump		Union nut ØA - B
M100 M140	Pump Inlet	2"1/4 (DN40) - 58
	Filter outlet	2"1/4 (DN40) - 60
M200 M250	Pump Inlet	2"3/4 (DN50) - 60
	Filter outlet	2"1/4 (DN40) - 60
A18 A19	Pump Inlet	2"1/4 (DN40) - 58
	Filter outlet	2"1/4 (DN40) - 60