

# L 58

## L88

L FILTERS



### Highlights

- Injected polypropylene or PVDF : great resistance to acids and alkalines
- Welded tank : no gaskets, no risk of leaking
- Side pannels protecting the the pump from splashing
- One handed quick opening lid
- Large interchangeable range of filtration medias



### Technical features

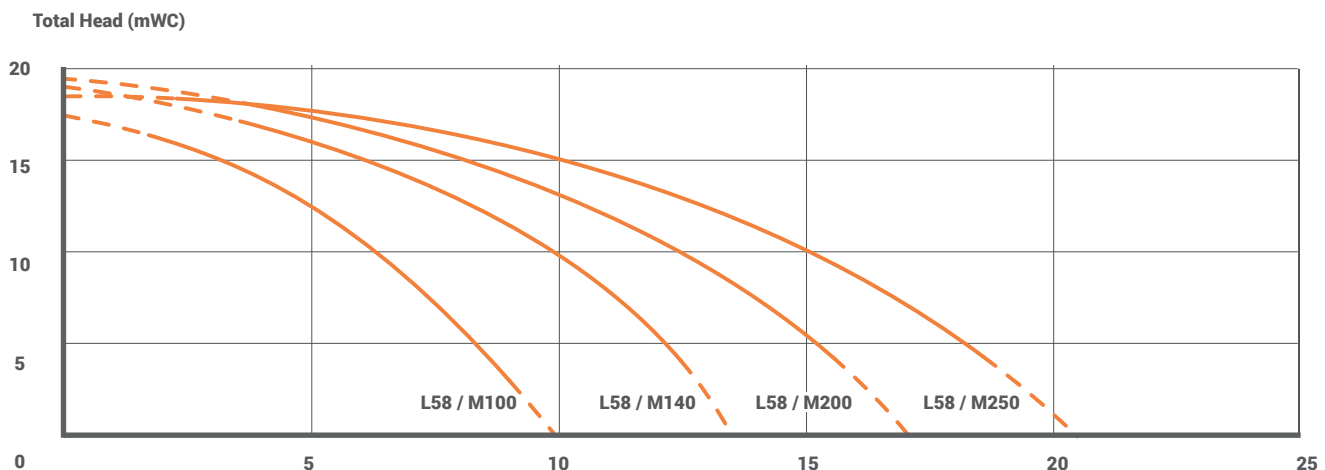
<b>Materials</b>		PP - PVDF
<b>Gaskets</b>		EPDM - FPM
<b>Max Temperature</b>	<b>PP</b>	80°C
	<b>PVDF</b>	110°C
<b>Filtration rate</b>		0,2 -> 100 µm
<b>Pumps</b>		M100 - M140 - M200 - M250
<b>Flowrate</b>		PP : 11.5 to 21m³/h - PVDF : 9 to 21m³/h
<b>Connection</b>		Threaded, Union nut, grooved nozzle, flanges
<b>Dissolution tank</b>		16 L

### Filtration medias



- 1 LTECH pleated cartridge :** 2 x 20" or 30" (5 or 7,5m²)
- 2 Wound cartridge :** 2 x 7 of 20" or 30"
- 3 Plates :** 2 x 64 / 96 (2x1,44 m² / 2x2,16m²) / 2 x 64 (2 x 1.44m²)\*
- 4 Activated carbon :** 2x11.6L / 2x17.3L
- 5 Bags :** 2 size 10

### Flowrate charts



\*Flow rates measured with 1 L-TECH cartridge with 20°C water. Flow rate varies depending on the filtration media.

Flowrate (m³/h)

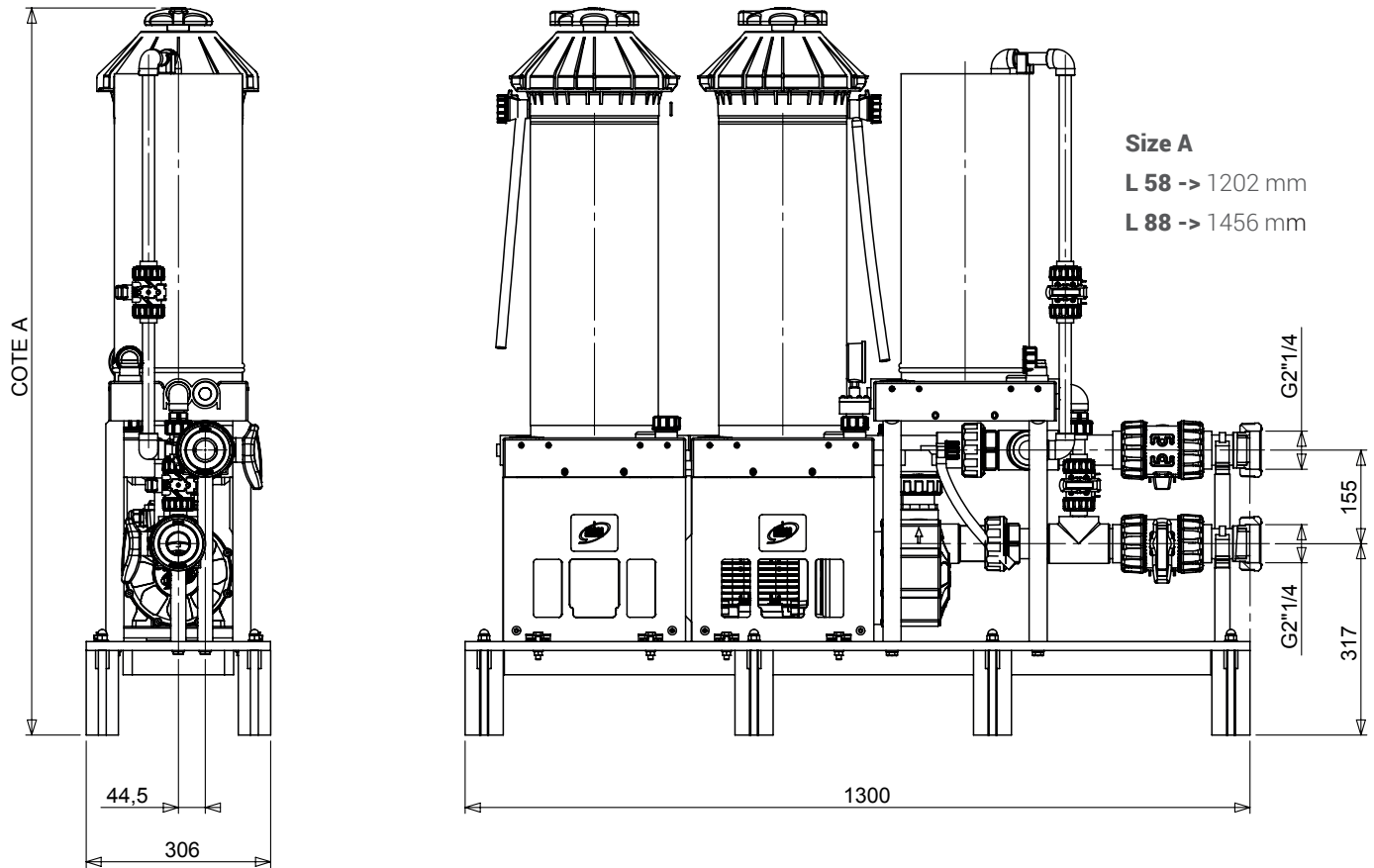
# L 58

## L88

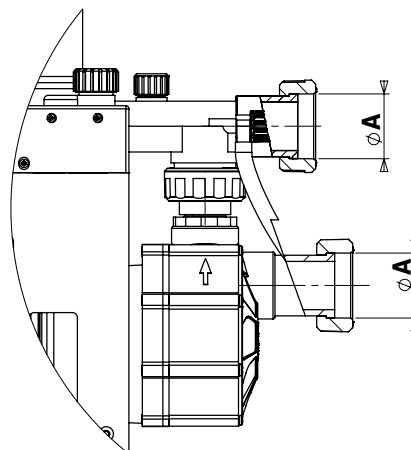


L FILTERS

### Dimensions



### Connections



Pump		Union nut $\phi A$
<b>M100</b> <b>M140</b>	PUMP INLET	2"1/4 (DN40)
	FILTER OUTLET	2"1/4 (DN40)
<b>M200</b> <b>M250</b>	PUMP INLET	2"3/4 (DN50)
	FILTER OUTLET	2"1/4 (DN40)
<b>A18</b> <b>A19</b>	PUMP INLET	2"1/4 (DN40)
	FILTER OUTLET	2"1/4 (DN40)